



SVS-VISTEK

eco655CVGE67

ECO IP67 »BlackLine«



Dust tight and protected against water in harmful quantity

Factory automation is dependent on reliable and efficient solutions. For this to happen, the components for machinery, controls and industrial image processing need to work in total harmony. SVS-VISTEK's "BlackLine"-standard makes it easier and more cost efficient to integrate the delicate image processing parts even in harsh environments.

The SVCam-ECO »BlackLine« is equipped with a waterproof housing and a M12 connector concept for industrial field wiring.

The SVCam ECO-series is compelling by virtue of its extremely compact design (38 x 38 x 33 mm) and offers the best value for money. The SVCam-ECO is small, robust, fit for the factory floor, manufactured with precision, safe to connect, offers an LED controller, is PLC ready and reliable.

Technical Highlights

- > IP67 protection class (including lens tube)
- > progressive scan sensor
- > 2 x outputs for direct drive and control of LED lighting
- > up to 120 MB/s data rate
- > GigE Vision and GenICam-Standards compliant
- > Industrial I/O interface for easy Integration
- > large range of Software and Algorithms
- > broadcast-safe

SVS-Vistek GmbH - Mühlbachstraße 20 - 82229 Seefeld - Germany - Telephone +49 8152 9985-0

Information accurate as to: 25.06.2019, errors and omissions excepted.

© 2019 – SVS-Vistek GmbH, all rights reserved.

ECO Series

eco655CVGE67

Resolution	2448 x 2050 px
Frame rate (max.)	10 fps
Chroma	color
Interface	GigE Vision
Sensor	
Sensor	ICX655AQA
Manufacturer	Sony
Sensor type	Area CCD
Shutter type	global shutter
Sensor architecture	interline transfer
Readout type	progressive scan
Sensor size (h x v)	8.45 x 7.07 mm
Optical diagonal	11.02 mm
Sensor format	2/3 "
Pixel size (h x v)	3.45 x 3.45 μm

Camera

Exposure modes	MANUAL;AUTO;EXTERNAL
Trigger modes	INTERNAL;SOFTWARE;EXTERNAL
Exposure time (min)	7 μs
Exposure time (max)	60 sec (external ∞)
Pixel format / max	bayer8, bayer12 / 12 bit
Gain modes / max	manual, auto / 18 dB
Dynamic range	58 dB (dep. on environment)
Internal memory	64 MB SDRAM, 8 MB Flash

Feature Set

Manual white balance	yes
AOI	yes
LUT	yes
Offset	yes
Readout control	yes
Binning	yes
Image flip	yes
Sequencer	yes

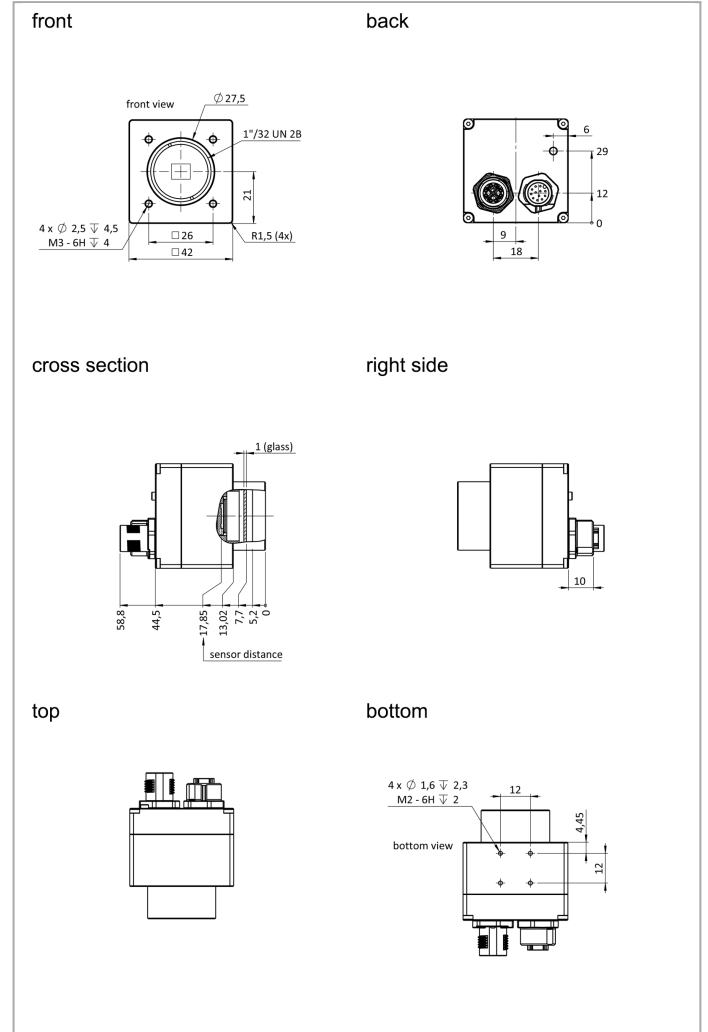
Housing

Lens mount	C-Mount
Dimensions (w x h x d)	42 x 42 x 31.5 mm
Weight	120 g
Ambient temperature	-10 to 45 $^{\circ}\text{C}$
Ambient humidity	10 to 90 % (non-condensing)
Protection class	IP67

I/O-Interfaces

Input up to 24V	2 x
Output open drain	2 x
I/O RS-232	1 x
I/O RS-422	1 x

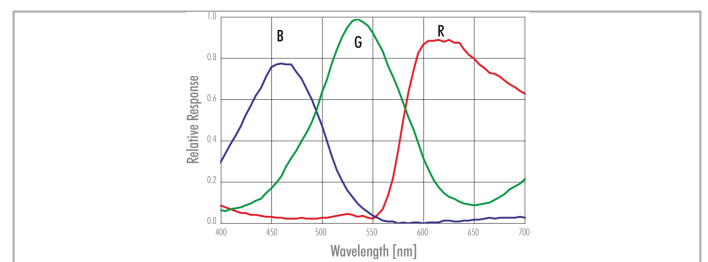
Dimensions [mm]



Pinout

M12 - I/O Connector			RJ45 to M12 Connector		
Pin	Color Code	Signal	Color Code	Pin RJ45	Pin M12
1	brown	V IN+ (10 - 25V)	white / orange	1	1
2	blue	V IN- (GND)	orange	2	2
3	white	RoD (RS232) not available for PoE versions	white / green	3	3
4	green	TxD (RS232) not available for PoE versions	blue	4	8
5	pink	IN 1 (0 - 24 V)	white / blue	5	7
6	yellow	IN 2 (0 - 24 V)	green	6	4
7	black	OUT 1 (open Drain max. 24 V, 0.3 A)	white / brown	7	5
8	gray	OUT 2 (open Drain max. 24 V, 0.3 A)	brown	8	6
9	red	IN 3+ (RS422)			
10	violet	IN 3- (RS422)			
11	gray / pink	OUT 3+ (RS422)			
12	red / blue	OUT 3- (RS422)			
	yellow / green	Shielding			

Spectral Response *



* Sensor data - excludes camera cover- or IR-cut filter characteristics

Power supply	10 to 25 V (DC)
Power consumption	4.5 W (dep. on operating mode)
