



CEI Machine Vision Camera Enclosure IP67 29mm Series Round

As a leading innovator in the Machine Vision Industry, CEI is proud to introduce our new line of Machine Vision Camera Enclosures, Cables, and Accessories for demanding vision applications.

IP67 29mm Series Camera Round Enclosure Key Features

- CEI Integrated Connector Design (no cord grips)
- IP67 protection
- Universal design for popular 29mm camera models
- Excellent heat dissipation
- Enclosure tailored for specific Camera & Optics
- Adjustable Mount with 2 tapped holes included
- High quality (easy to replace) windows by Midwest Optical
- Lightweight low-profile design
- Type 2 anodizing
- Options: Mounts, Air Curtains, Windows & Filters, Cables
- Options: Custom Sizes, lengths, and focusing solutions.
- Options: Complete Solutions (Camera, Enclosure, Cabling)
- Competitive pricing
- Made in USA, Patent Pending



Enclosure Specs (See Appendix "A" for part numbers)

Camera Size: 29mm square mount machine vision

Optics: Supports a wide range of C-Mount optics

Window: Midwest Optical 2mm Borofloat glass – AR coated

Interface Connectors: M12 X-Code Ethernet Female

Optional Interface: M12 A-Code I/O Male

Mounting: Qty. 2, M6 or 1/4-20 UNC tapped holes with 19.05mm (3/4") hole spacing, adjustable ring mount

Sealing: IP67

Material: 6061 Aluminum

Coating: Type 2 anodized

Overall Length (L): Varies, See Appendix "A"

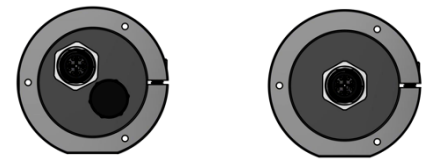
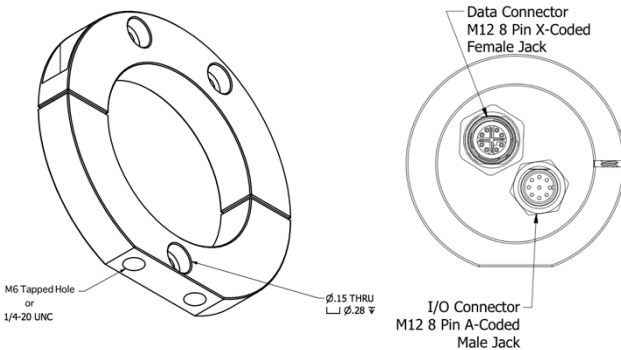
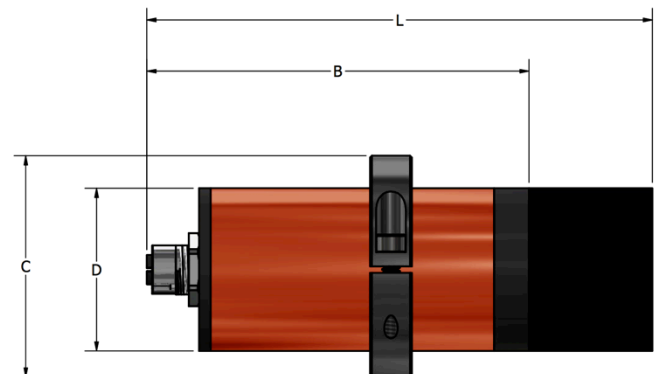
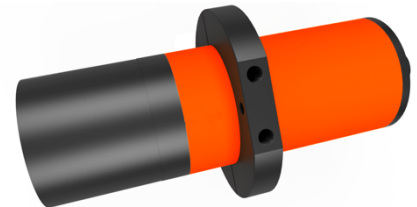
Body Length (B): 90 mm (incl. interface conn.)

Height / Width (D): 44.5 mm round (body)

Mount diameter (C): 69 mm

Window Diameter: 42 mm (48mm with 44mm cover)

Weight: 370g (typical weight fully assembled W/ Camera)



Call Components Express, Inc. at 630-257-0605 for Ordering Information.

Appendix “A” CEI IP67 29mm Series Camera Round:

CEI “Small” round 29mm IP67 Gig-E Enclosure for up to 38mm dia. C-mount lenses, standard adjustable ring mount with 2x tapped mounting holes

<u>Part Number</u>	<u>Description</u>
EM-29R-38	29mm Round IP67 enclosure, 38mm max. lens dia., M6 mount holes
EN-29R-38	29mm Round IP67 enclosure, 38mm max. lens dia., ¼-20 UNC mount holes
EM-29R-44	29mm Round IP67 enclosure, 44mm max. lens dia., M6 mount holes
EN-29R-44	29mm Round IP67 enclosure, 44mm max. lens dia., ¼-20 UNC mount holes

CEI “Small” round 29mm IP67 Enclosure for up to 38mm dia. C-mount lenses with Gig-E and I/O connectors, standard adjustable ring mount with 2x tapped holes

<u>Part Number</u>	<u>Description</u>
EM-29RI-38	29mm Round IP67 enclosure, 38mm max. lens dia., M6 mount holes
EN-29RI-38	29mm Round IP67 enclosure, 38mm max. lens dia., ¼-20 UNC mount holes
EM-29RI-44	29mm Round IP67 enclosure, 44mm max. lens dia., M6 mount holes
EN-29RI-44	29mm Round IP67 enclosure, 44mm max. lens dia., ¼-20 UNC mount holes

Lens Covers with 2mm Borofloat AR coated glass windows for CEI EM-29R series IP67 enclosures

<u>Part Number</u>	<u>Description</u>
EN-LC38-30	38mm max. lens dia., 30mm length
EN-LC38-36	38mm max. lens dia., 36mm length
EN-LC38-38	38mm max. lens dia., 38mm length
EN-LC38-44	38mm max. lens dia., 44mm length
EN-LC38-48	38mm max. lens dia., 48mm length
EN-LC38-50	38mm max. lens dia., 50mm length
EN-LC38-52	38mm max. lens dia., 52mm length

EN-LC44-30	44mm max. lens dia., 30mm length
EN-LC44-36	44mm max. lens dia., 36mm length
EN-LC44-38	44mm max. lens dia., 38mm length
EN-LC44-44	44mm max. lens dia., 44mm length
EN-LC44-48	44mm max. lens dia., 48mm length
EN-LC44-50	44mm max. lens dia., 50mm length
EN-LC44-52	44mm max. lens dia., 52mm length

Assembled lens cover dimension is 6mm shorter than specified lens cover length, for example a EN-29R-30 enclosure assembly with EN-LC38-36 lens cover will be 90mm + 36mm - 6mm = 120mm long (L)

Optional Light Bracket for CEI round 29mm IP67 Enclosure

<u>Part Number</u>	<u>Description</u>
EN-LB29R-A	Small light bracket (120.7mm x 85.8mm) mounting surface
EN-LB29R-B	Large light bracket (152.1mm x 133.4mm) mounting surface

