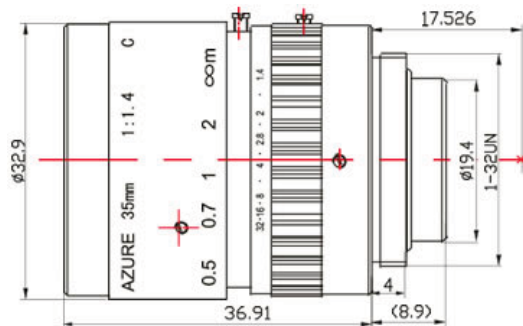




SPECIFICATIONS

Resolution:	100lp/mm (2MP)	
Format :	2/3"	
Mount :	C	
Focal Length:	35mm	
F/No :	F1.4~F32	
Back Focus :	9.44mm	
Iris Type :	Manual Iris	
Horizontal Angle :	2/3"	14.33°
	1/2"	10.45°
	1/3"	7.85°
	1/4"	5.89°
Distortion :	<-1%	
Focusing Range:	∞ ~ 0.5m	
Coating Wavelength:	400nm~950nm	
Filter Thread :	M30.5x 0.5	
Dimension :	∅ 32.9 x 36.91mm	
Weight:	90g	

Dimension



MTF Curves

