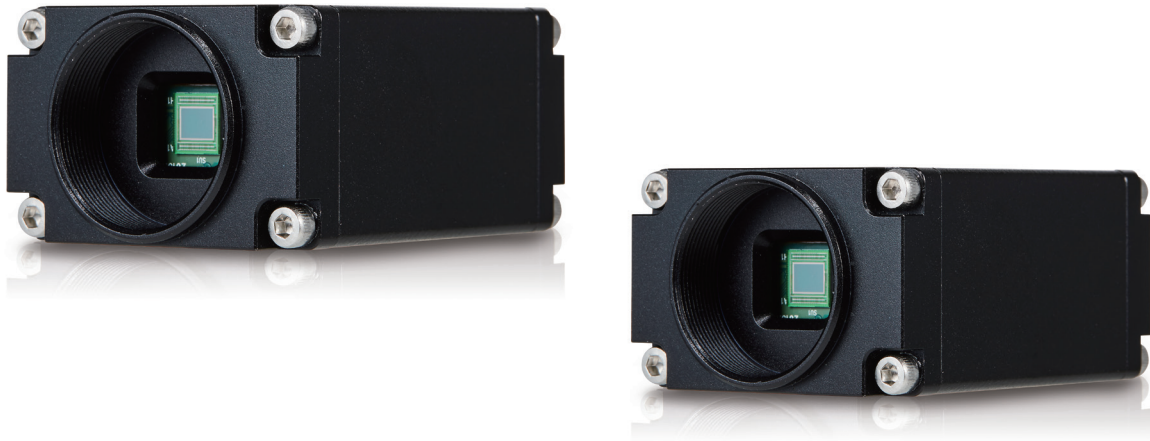


---

# VQ-310G-M400

ULTRA COMPACT – COST EFFECTIVE CMOS CAMERA



VQ-310G-M400 is a compact digital camera ideal for a wide range of industrial applications. With its compact housing size and light weight, VQ-310G-M400 camera can simply replace most of industrial analogue cameras. Its competitive price and advanced features such as built-in frame buffer, user defined LUT and auto exposure control allow users to enjoy flexible choices for various machine vision and traffic applications.

# VQ-310G-M400

ULTRA COMPACT – COST EFFECTIVE CMOS CAMERA

## Main Features

- \* Up to 400 Frames per Second
- \* Stream Hold and Inter-packet Delay
- \* Maximum 100 Meter Cable Lengths
- \* Compact Size with CS-mount Adapter
- \* Built-in Frame Buffer (64 MB)
- \* Stream Hold and Inter-packet Delay
- \* Auto Exposure Control
- \* Field Upgradable Firmware
- \* Pixel Defect Correction

## Applications

- \* Machine Vision Inspection
- \* Medical and Scientific Imaging
- \* Microscopy and Metrology
- \* Remote Sensing
- \* Intelligent Transportation System (ITS)

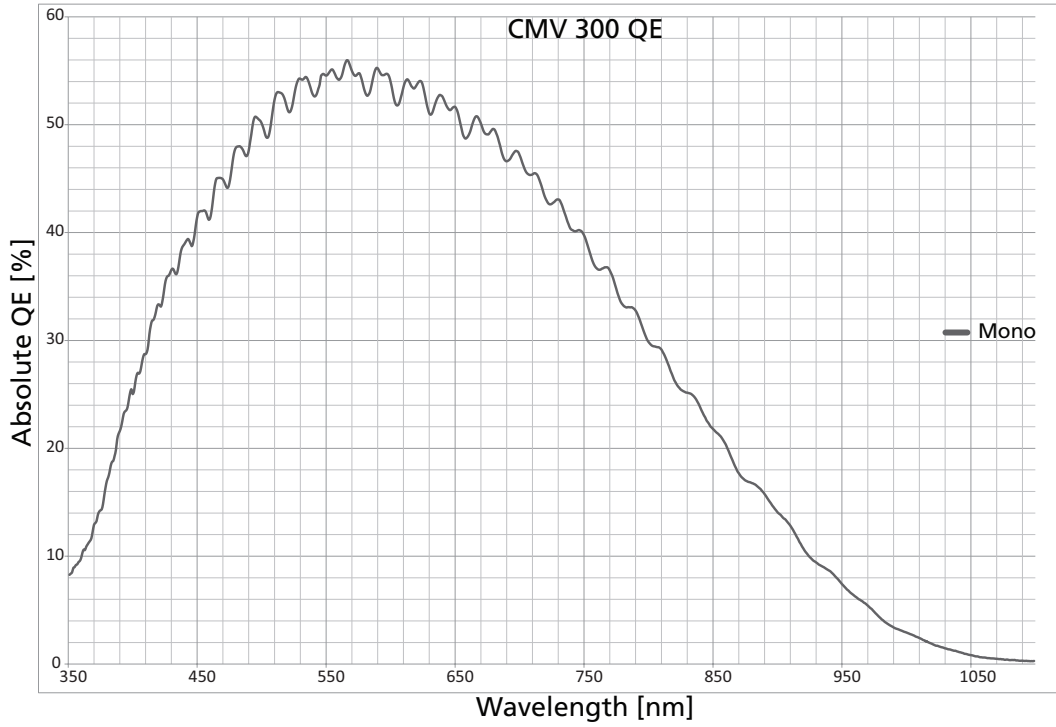
## Specifications

Model	VQ-310G-M 400
Resolution (H × V)	640 × 480
Sensor	CMOSIS CMV 300
Sensor Size (Optical Format)	1/3"
Sensor Type	High Speed CMOS Imager
Pixel Size	7.4 μm × 7.4 μm
Sensor Output	4 CH LVDS
Interface	Gigabit Ethernet
Max. Frame Rate	400 fps
Exposure Time (10 μs step)	65 μs ~ 7 s
Partial Scan (Max. Speed)	7900 fps at 2 Lines
Pixel Data Format	8 / 10 / 12 bit
Output Format	Mono8, Mono10, Mono10 packed, Mono12, Mono12 packed
Electronic Shutter	Global Shutter
Exposure Mode	Timed, Trigger Width Exposure
Dynamic Range	56 dB
Lookup Table	G = 1.0, User Defined Lookup Table (LUT)
Black Level	Adjustable (0 ~ 256 LSB at 12 bit, 256 steps)
Gain Control	×1, ×1.25, ×1.5, ×1.75, ×2, ×2.5, ×3, ×3.5
Auto Control	Auto Gain, Auto Exposure
Camera Image Memory	64 MB
Dimension / Weight	44 mm × 29 mm × 62 mm /100 g (with CS-mount)
Temperature	Operating: -10°C ~ 55°C, Storage: -40°C ~ 70°C
Lens Mount	CS-mount
Power	10 ~ 14 V DC, MAX. 3 W
Compliance	CE, FCC, KC
API SDK	Viewworks Imaging Solution 6.X or above

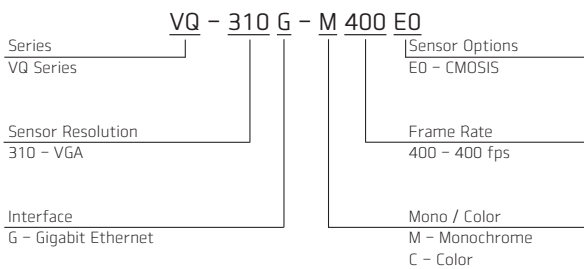
# VQ-310G-M400

ULTRA COMPACT - COST EFFECTIVE CMOS CAMERA

## Quantum Efficiency Curves

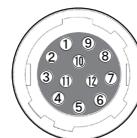


## Ordering Scheme



## Connector Specification

Power Input & Control I/O Receptacle



- 1: DC Ground
- 2: +12 V DC
- 3: I/O Output-
- 4: I/O Output+
- 5: Trigger IN-
- 6: Trigger IN+
- 7~12: Not Connected (HR10A-10R-12PB)

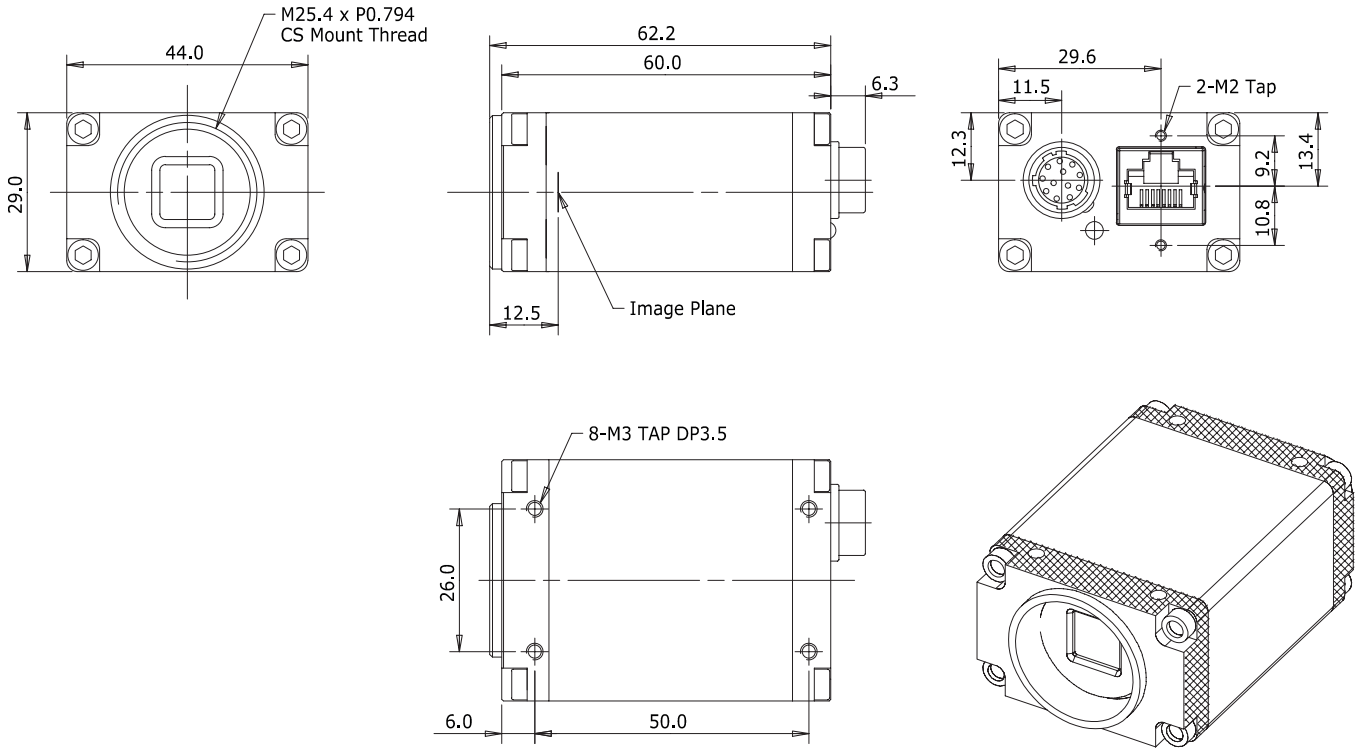
Connectors on camera body

# VQ-310G-M400

ULTRA COMPACT - COST EFFECTIVE CMOS CAMERA

## Mechanical Dimensions

Unit: mm



For more information please contact local distributor or visit our website at <http://www.vieworks.com>.

Reproduction in whole or in part without written permission is prohibited. Vieworks Co., Ltd. is not responsible for any technical or typographical errors and reserves the right to make changes to products, specifications and documentation without prior notice.

RA11-129-001

# VIEWORKS

41-3, Burim-ro 170 beon-gil, Dongan-gu, Anyang-si, Gyeonggi-do, 14055 Republic of Korea  
tel +82-70-7011-6161 fax +82-31-386-8631 e-mail sales@vieworks.com