

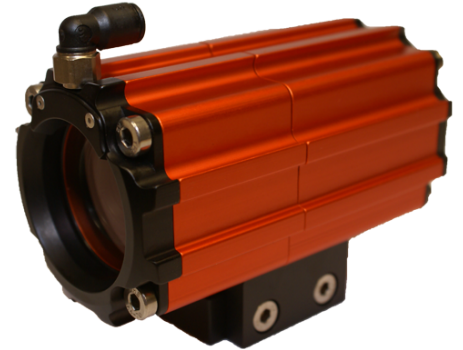


Machine Vision Camera Enclosure IP67 Nano Series

As a leading innovator in the Machine Vision Industry, CEI is proud to introduce our new line of Machine Vision Camera Enclosures, Cables, and Accessories for demanding vision applications.

IP67 29mm Series Camera Enclosure Key Features

- CEI Integrated Connector Design (no cord grips)
- IP67 protection
- Design for popular Dalsa Genie Nano camera models
- Excellent heat dissipation
- Allows changing and focusing Optics while mounted
- Flexible mounting options
- High quality (easy to replace) windows by Midwest Optical
- Lightweight low-profile design
- Type 2 anodizing
- Options: Mounts, Visors, Air Curtains, Windows & Filters
- Options: Custom Sizes, lengths, Cables
- Options: Complete Solutions (Camera, Enclosure, Cabling)
- Competitive pricing
- Made in USA, Patent Pending



Enclosure Specs (See Appendix "A" for part numbers)

Camera: Dalsa Genie Nano machine vision

Optics: Supports a wide range of C-Mount optics

Window: Midwest Optical Polycarbonate – AR coated

Interface Connector: M12 X-Code Ethernet

Optional Interface Connector: M12 12 pin male

Mounting: 2 x 1/4"-20, SLM-1 pattern with adapter

Sealing: IP67

Material: 6063 Aluminum

Coating: Type 2 anodized

Length: 133 mm (with Lens Cover and M12 connector.)

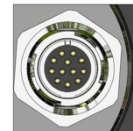
Height / Width: 66 mm square

Window Diameter: 42 mm

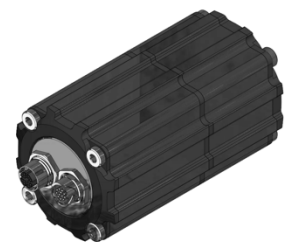
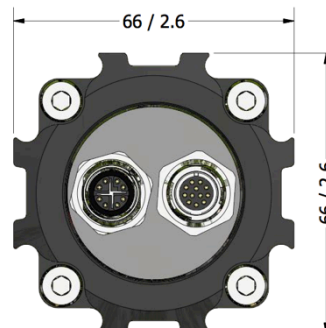
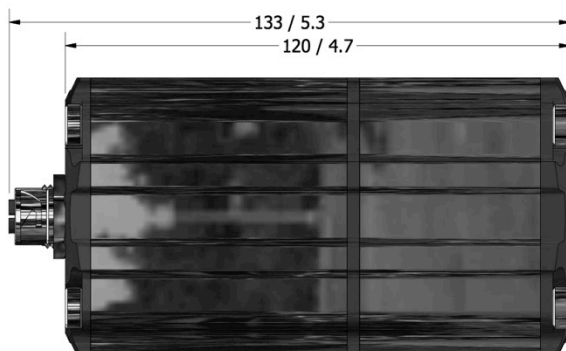
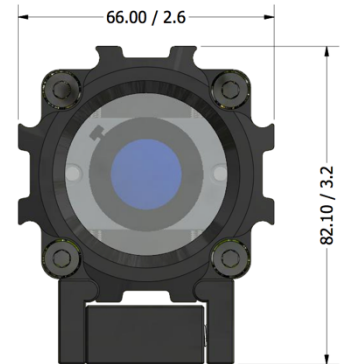
Weight: 880 g (typical weight fully assembled W/ Camera)



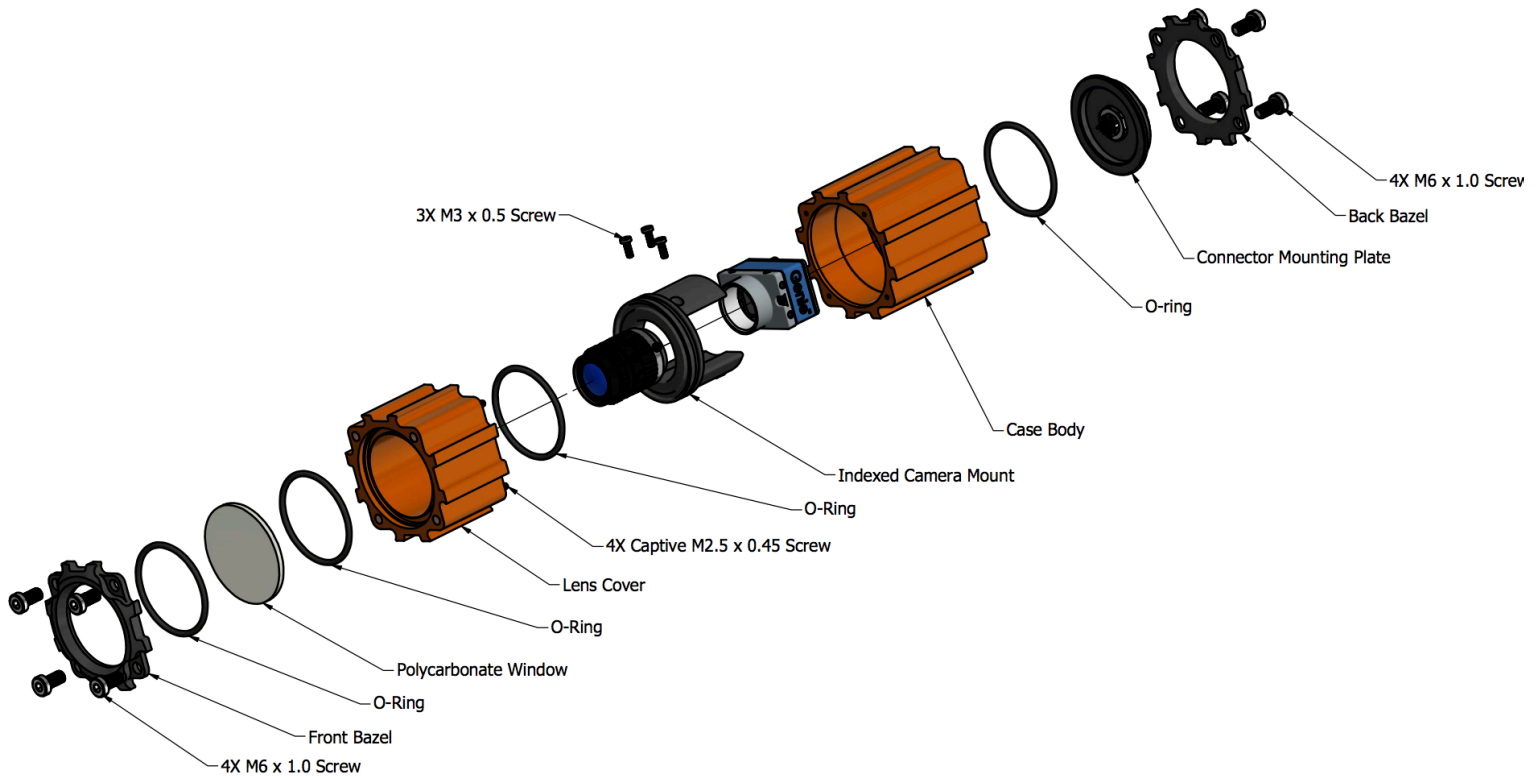
Data Connector
M12 X-Coded Female
IP67 When Mated



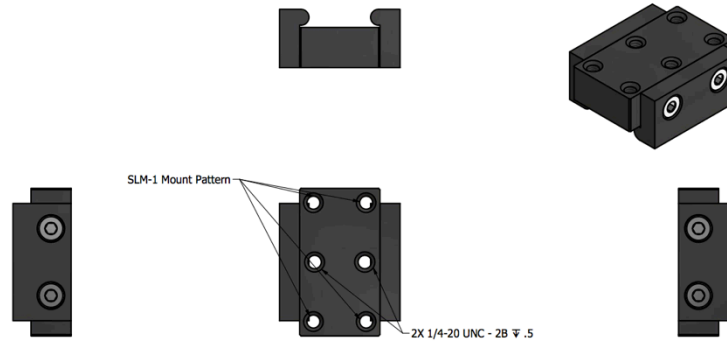
I/O Connector (Optional)
M12 12 Pin Male
IP67 When Mated



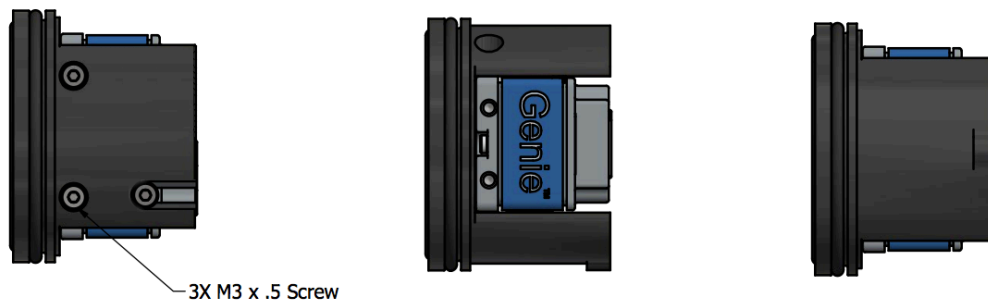
CEI IP67 Nano Series - Assembly View



2x 1/4-20 and SLM-1 Pattern Mounting Adapter (P/N: EN-E1-M2)

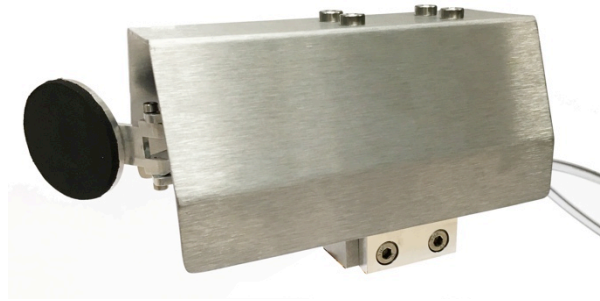


Internal Camera Mounting System

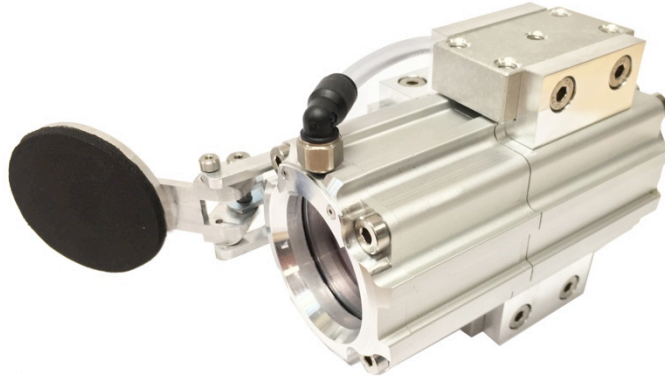


Call Components Express, Inc. at 630-257-0605 for Ordering Information.

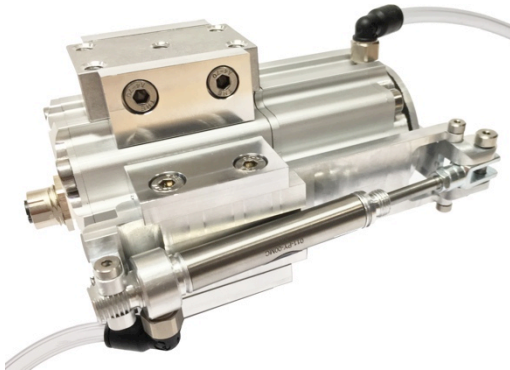
CEI IP67 Nano Series – Enclosure Options



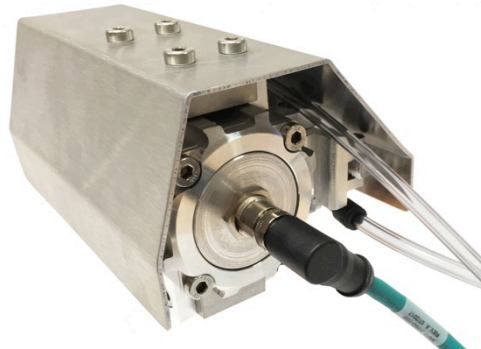
Visor / Dust Cover (P/N: EN-E1-SS)



Window Air-Curtain (P/N: EN-E1-AC)



Pneumatic Window Cover (P/N: EN-E1-PS)



Right Angle M12 X-Code Cables

Call Components Express, Inc. at 630-257-0605 for Ordering Information.

Appendix "A" CEI IP67 Nano Series:

CEI IP67 Gig-E Enclosure for Genie Nano Camera up to 44mm dia. C-mount lenses, M12 Gig-E connector.

<u>Part Number</u>	<u>Description (enclosure & mount only, lens cover required - see below)</u>
EN-GN	Genie Nano IP67 enclosure, 44mm max. lens dia., Gig-E M12 interface

CEI "Small" square 29mm IP67 Enclosure for up to 38mm dia. C-mount lenses with M12 Gig-E and I/O connectors, and 2x M3 tapped mounting holes.

<u>Part Number</u>	<u>Description (enclosure & mount only, lens cover required see below)</u>
EN-GNI	Genie Nano IP67 enclosure, 44mm max. lens dia., Gig-E M12 interface, M12 I/O interface

Lens Covers with 2mm Borofloat AR coated glass widows for CEI Nano series IP67 enclosures

<u>Part Number</u>	<u>Description (lens cover only, enclosure required - see above)</u>
EN-E1-44-40	44mm max. lens dia., 40mm length
EN-E1-44-42	44mm max. lens dia., 42mm length

Assembled lens cover dimension is 6mm shorter than specified lens cover length, for example a EN-29S-30 enclosure assembly with EN-LC38-36 lens cover will be $90\text{mm} + 36\text{mm} - 6\text{mm} = 120\text{mm}$ long (L)

Optional accessories for Genie Nano IP67 enclosure:

<u>Part Number</u>	<u>Description</u>
EN-E1-PS	Pneumatic window cover
EN-E1-AC	Air Curtain
EN-E1-M1	Mount for 1/4-20 and Metric M6 for swivel link SLM-1
EN-E1-P2	Mount for 1/4-20 and Metric M5 for swivel link SLM-1
EN-E1-SS	Dust cover for pneumatic window cover 150mm with Mount