

KAYA INSTRUMENTS ANNOUNCES
JETCAM
NEW GENERATION OF CAMERAS



Key Features:

- 16 Megapixel up to 227 fps
 - 40 Gbps fiber optic interface
 - 25 Gbps CoaXPress
 - Up to 10 km cable length
 - 3G SDI output for local monitor
 - Nikon F mount
 - B4 2/3" mount with integrated lens control*
 - Compatible with KAYA Vision Point™ SDK
 - Compatible with KAYA Komodo™ Frame Grabbers
 - Customization as per user requirements
- *Lens control is optional

Applications:

- High speed machine vision
- Motion analysis
- Sport Broadcasting
- Traffic control
- Industrial inspection markets

JetCam 160 Super Speed POV Camera

Innovative Approach

JetCam 160 is a low-cost global shutter CMOS high-speed camera with Fiber or CoaXPress interfaces which supports 16 Megapixels (4704x3416) high quality video at rates up to 227 fps.

Intelligent Design

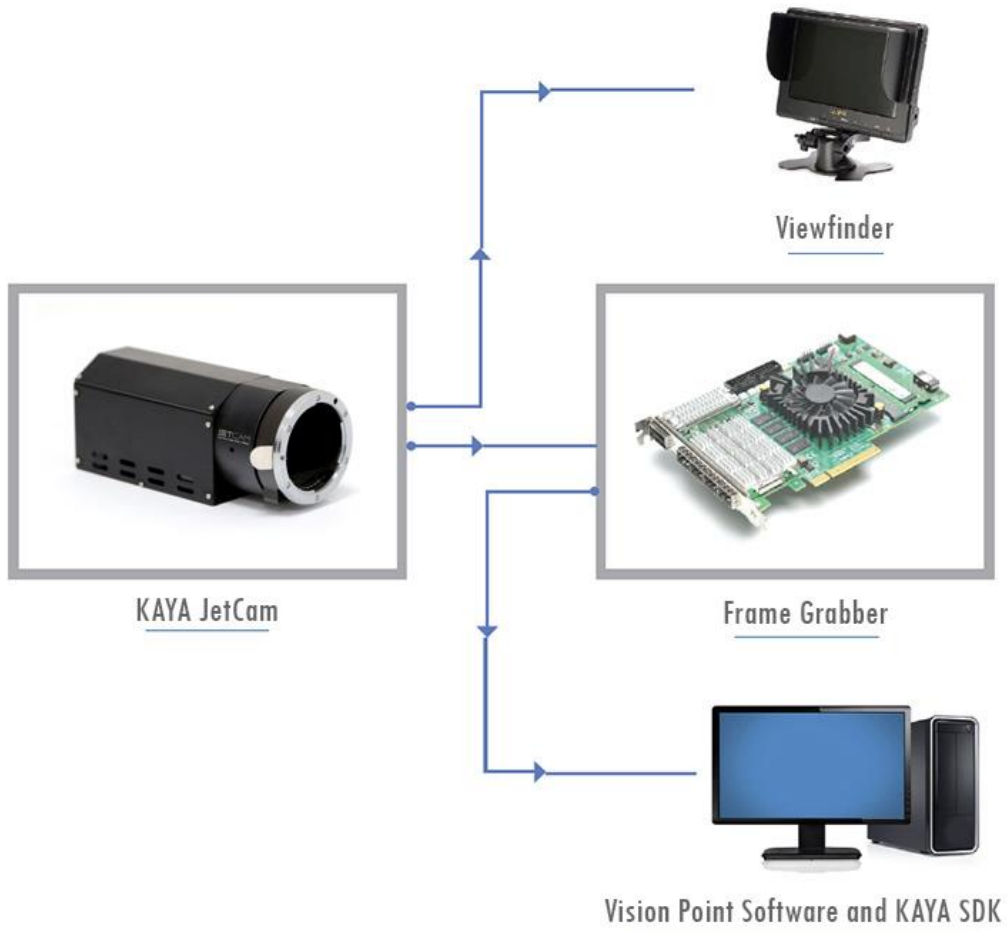
Camera incorporates 3.9µm global shutter sensor and a direct lens control (optional) without need of external devices. With compact outline and low power design this camera can be fitted into tight spaces. The 3G SDI output enables connection of local monitor as viewfinder or an installation aid.



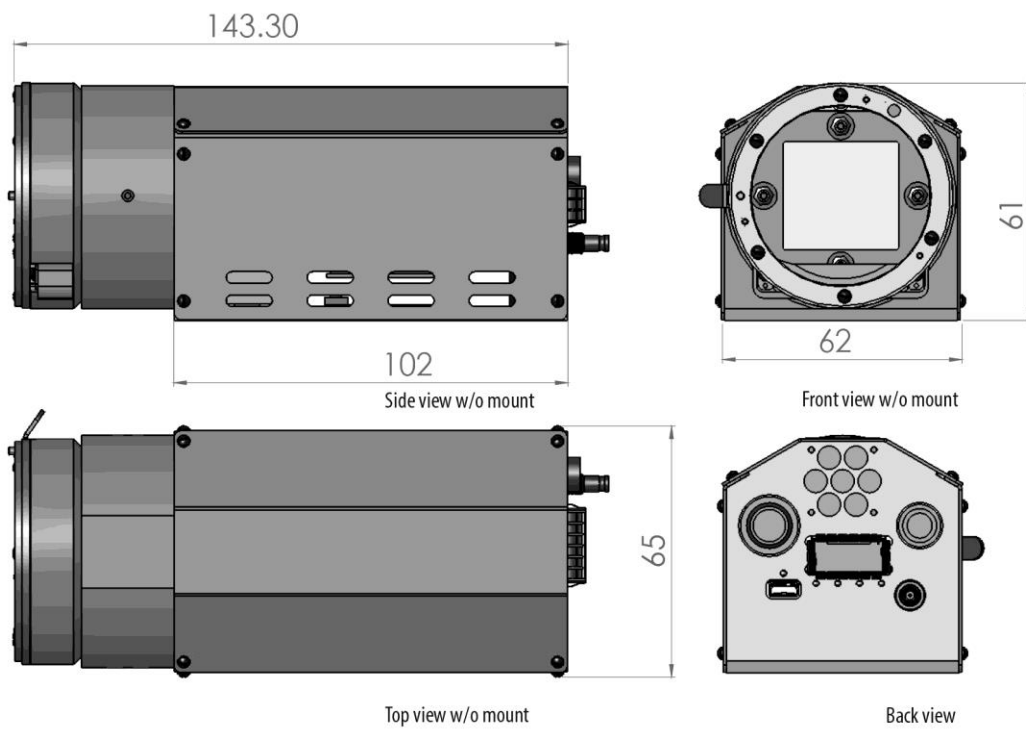
Technical Data (More detailed specifications are available on request)

Pixel size	3.9 µm 5T shutter pixel with CDS
Resolution	16 Megapixel 4704 (H) x 3416 (V)
Sensor size	4/3"
Sensor	LUX160
Video output	Fiber optics up to 40 Gbps, CoaXPress up to 25 Gbps, CLHS up to 40 Gbps, 10GigE up to 10Gbps
Maximum Frame rate	227 Frames/s @ full resolution (16 Megapixel)
Electronic shutter	Global shutter
Image acquisition	Continuous / Triggered
Output resolution	8 or 10 bit
Monochrome/ color	Monochrome / Color
Power input	12 VDC (optional 24 VDC)
Weight (without lens)	1260g
Power consumption	<12W
Operating temperature	-10 °C to 50 °C
Lens mount	F-Mount, B4, C-mount, Canon EF-mount, PL mount
On camera processing	Defect pixel correction
	White balance
	ROI
	Image flip
	Frame counter
	Flat field correction
	LUT
	Gain (Analog / Digital)
	Auto black level
	Nonvolatile storage
Programmable I/O	2x RS232 (RS485 optional)
Lens control	Fujinon lens control (optional)
	Custom lens control through RS232/RS485 (optional)
Complimentary video output	3G SDI

KAYA High-Speed Camera Workflow



Camera Body Dimensions



Compatibility

Supported vision standard



Supported vision libraries



Supported operating systems



Compatible with most popular machine vision libraries

KAYA Instrument strives to create and maintain compatibility and interfaces for the most common and advanced vision image processing libraries and applications. Major support is available for **MVTec Halcon**, **National Instruments LabVIEW** and **MathWorks MATLAB**. Please check our KAYA website for an up-to-date list of other supported libraries and software package.

Contact

Please visit www.kayainstruments.com for complete product information.

Get in touch with our team at info@kayainstruments.com.

We would be glad to assist you with our state-of-the-art products and solutions. Please note, we can cover specific requirements and provide customization as well.

Worldwide

KAYA Instruments

20 HaMesila St. Nesher
3688520 POB 25004,
Haifa 3125001 Israel

info@kayainstruments.com

Tel: +972 72 272 3500

Fax: +972 72 272 3511

The information provided here is subject to change without prior notice.



<http://www.kayainstruments.com/cameras/>

© 2017 KAYA Instruments, Inc. All rights reserved. KAYA Instruments, the KAYA Instruments Komodo logo, JetCam logo, Predator and combinations thereof are trademarks of KAYA Instruments, Inc. in the United States and/or other jurisdictions. Microsoft Windows is a registered trademark of Microsoft Corporation. Other names are for informational purposes only and may be trademarks of their respective owners. KAYA Instruments is not liable for harm or damage incurred by information contained in this document. KY-DOCJC160