

exo252CCL

EXO Camera Link



SVCam EXO Camera Link models let you maintain the existing and proven infrastructure for years to come, while making use of the newest range of image sensors. The serialized interface has gained wide popularity and acceptance thanks to its high bandwidth. The EXO series was the first Camera Link model to include features such as 4I/O strobe controller and LUT.

Technical Highlights

- > GenICam compliant
- > ConvCam Software control

EXO Series

exo252CCL

Resolution	2048 x 1536 px
Frame rate (max.)	78 fps
Chroma	color
Interface	Camera Link Base
Sensor	
Sensor	IMX252LQR
Manufacturer	Sony
Sensor type	Area CMOS
Shutter type	global shutter
Sensor size (h x v)	7.07 x 5.3 mm
Optical diagonal	8.83 mm
Sensor format	1/1.8"
Pixel size (h x v)	3.45 x 3.45 μm

Camera

Exposure modes	MANUAL;AUTO;EXTERNAL
Trigger modes	INTERNAL;SOFTWARE;EXTERNAL
Exposure time (min)	20 μs
Exposure time (max)	1 sec (external ∞)
Pixel format / max	bayer8, bayer12 / 12 bit
Gain modes / max	manual, auto / 18 dB
S/N ratio	40 dB (dep. on environment)
Dynamic range	71 dB (dep. on environment)
Pixel clock	85 MHz
Internal memory	256 MB SDRAM, 32 MB Flash

Feature Set

Manual white balance	yes
Automatic white balance	yes
AOI	yes
LUT	yes
Offset	yes
Binning	yes
Image flip	yes
Sequencer	yes

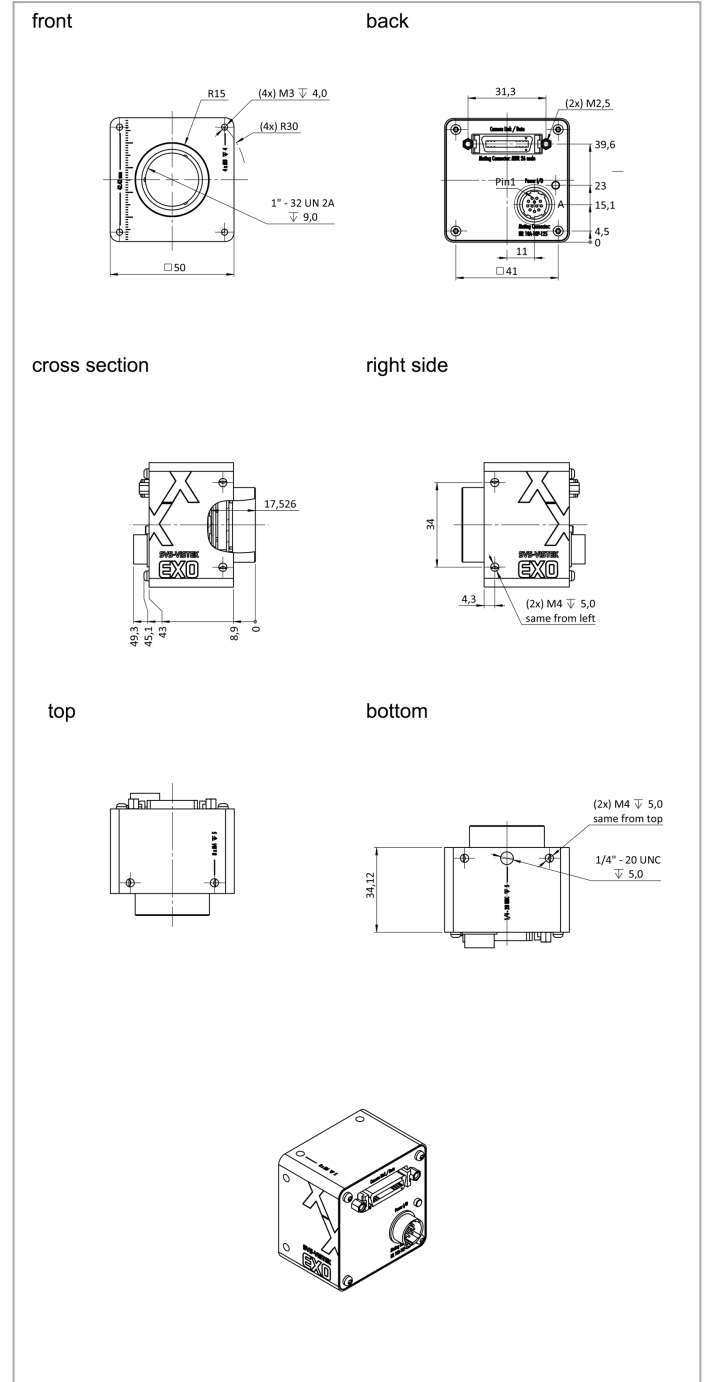
Housing

Lens mount	C-Mount
Dimensions (w x h x d)	50 x 50 x 34.1 mm
Weight	138 g
Operating temperature (housing)	-10 to 60 °C
Ambient humidity	10 to 90 % (non-condensing)
Protection class	IP40

I/O-Interfaces

Input up to 24V	2 x
Input OPTO	1 x
Output open drain	4 x
I/O RS-232	1 x

Dimensions [mm]



Pinout

Hirose 12 Pin	1	2	3	4	5	6	7	8	9	10	11	12
	VIN - (GND)	VIN + (10 V to 25 V DC)	IN 4 (RXD RS232)	OUT 4 (TXD RS232)	IN 1 (0-24V)	IN 2 (0-24V)	OUT 1 (open drain)	OUT 2 (open drain)	IN 3 + (opto In +)	IN 3 - (opto In -)	OUT 3 (open drain)	OUT 0 (open drain)

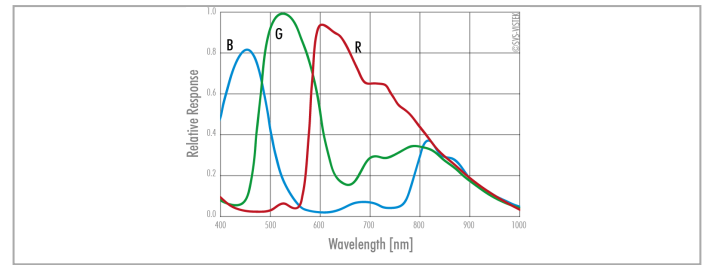
Power supply

10 to 25 V (DC)

Power consumption

4 W (dep. on operating mode)

Spectral Response *



* Sensor data – excludes camera cover- or IR-cut filter characteristics