

exo273MGE

EXO GigE



Form follows requirements

With uniform size and standard interfaces comes simple interchangeability, allowing the system integrator to easily adapt a solution to varying conditions and requirements - with minimal design effort. SVS-Vistek meets precisely these needs. The EXO series is a perfect match with its uniform form factor and feature set, combined with industry standard interfaces. A solution for virtually every case, allowing smooth and effortless up- or downscaling. Once designed in, the implementations can be varied endlessly.

SVCam EXO series cameras with GigE Vision interface give your applications an extreme scalability. Quick and easy hardware interchangeability results in shorter design cycles and reduced development costs. Further value is added to your application by a virtually limitless feature set. As an example, the 4I/O LED driver with standardized software control.

Technical Highlights

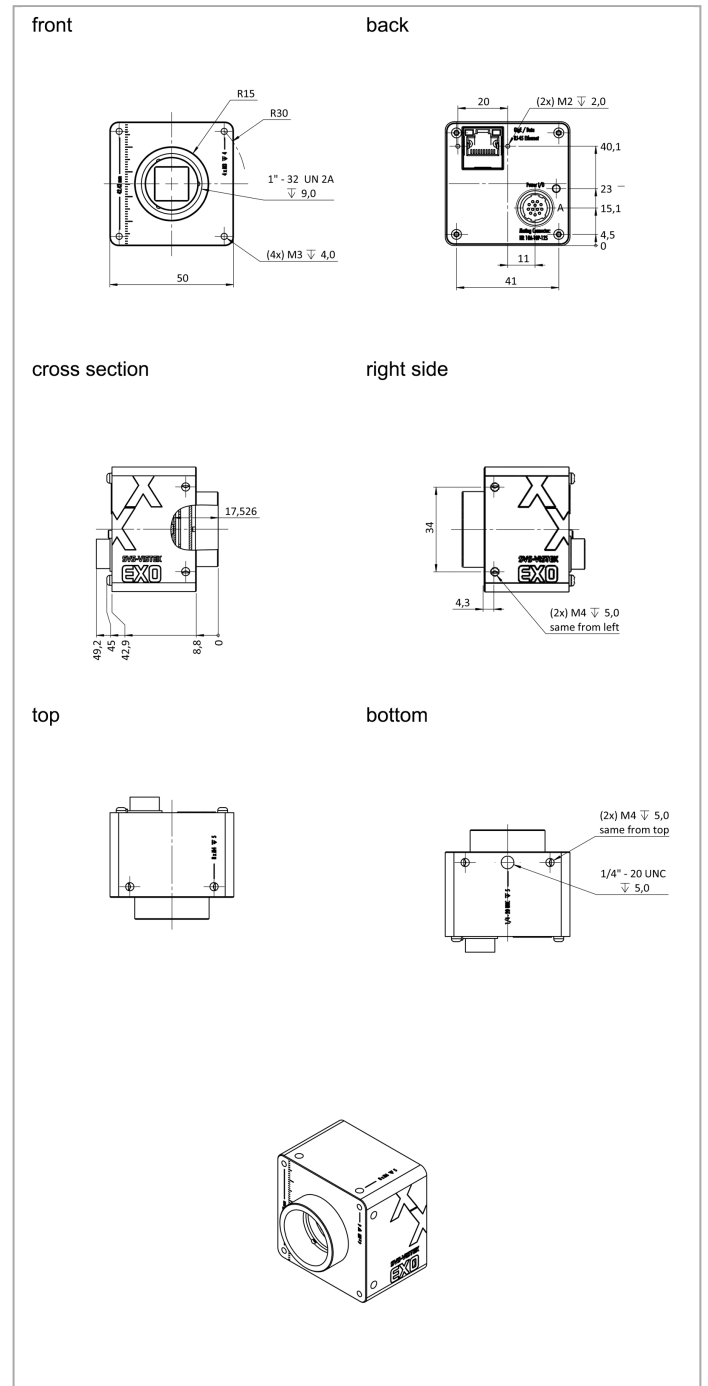
- > 2.3 to 31 Mega Pixel
- > progressive scan / global shutter sensors
- > logical trigger functions
- > programmable sequencer for shutter and LED light
- > SDK for Windows (32/64 Bit) und Linux available
- > GenICam Standard compliant
- > up to 120 MB/s data rate
- > cable length up to 100 Meter
- > broadcast-safe

EXO Series

exo273MGE

Resolution	1440 x 1080 px
Frame rate (max.)	79 fps
Frame rate burst mode (max.)	168 fps
Chroma	mono
Interface	GigE Vision
Sensor	
Sensor	IMX273LLR
Manufacturer	Sony
Sensor type	Area CMOS
Shutter type	global shutter
Sensor size (h x v)	4.97 x 3.73 mm
Optical diagonal	6.21 mm
Sensor format	1/2.9"
Pixel size (h x v)	3.45 x 3.45 μm
Camera	
Exposure modes	MANUAL;AUTO;EXTERNAL
Trigger modes	INTERNAL;SOFTWARE;EXTERNAL
Exposure time (min)	28 μs
Exposure time (max)	1 sec (external ∞)
Pixel format / max	mono8, mono12packed / 12 bit
Gain modes / max	manual, auto / 48 dB
Internal memory	256 MB SDRAM, 32 MB Flash
Feature Set	
AOI	yes
LUT	yes
Offset	yes
Readout control	yes
Binning	yes
Image flip	yes
Sequencer	yes
Housing	
Lens mount	C-Mount
Dimensions (w x h x d)	50 x 50 x 42.7 mm
Weight	138 g
Operating temperature (housing)	-10 to 60 $^{\circ}\text{C}$
Ambient humidity	10 to 90 % (non-condensing)
Protection class	IP40
I/O-Interfaces	
Input up to 24V	2 x
Input OPTO	1 x
Output open drain	4 x
I/O RS-232	1 x
Power supply	10 to 25 V (DC)
Power consumption	4 W (dep. on operating mode)

Dimensions [mm]



Pinout Mating Connector

Hirose 12 Pin	1	VIN - (GND)	7	OUT 1 (open drain)
	2	VIN + (10 V to 25 V DC)	8	OUT 2 (open drain)
	3	IN 4 (RXD RS232)	9	IN 3 + (opto In +)
	4	OUT 4 (TXD RS232)	10	IN 3 - (opto In -)
	5	IN 1 (0-24V)	11	OUT 3 (open drain)
	6	IN 2 (0-24V)	12	OUT 0 (open drain)