

HD1166R-PZFI-6W

Image Size: $\frac{2}{3}$ $\frac{1}{2}$ $\frac{1}{3}$

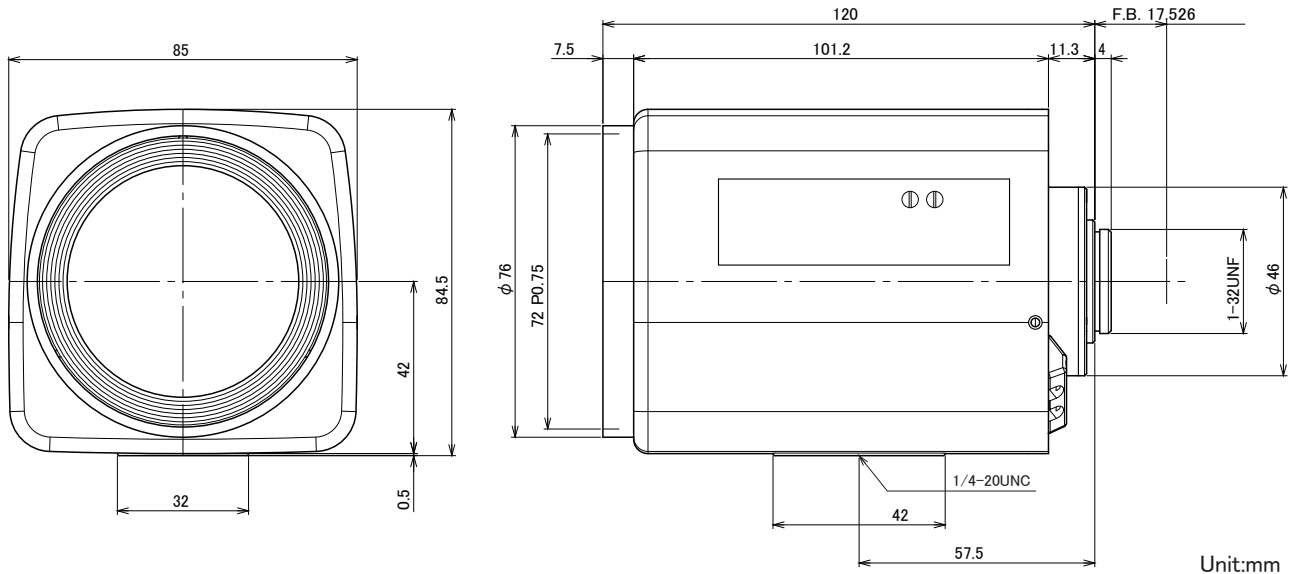
[SPECIFICATIONS]

Focal Length :	11 - 66mm	Flange Back :	17.526mm
Maximum Relative Aperture :	1:1.8 (Tele End 1:1.8)	Operation :	Zoom : Motorized(DC+/-6.4V, Max40mA)
Iris :	F1.8 - Close	Focus :	Motorized(DC+/-6.4V, Max40mA)
Zoom Ratio :	6X	Iris :	Motorized(DC+/-6.4V, Max40mA)
Angular Field of View :	43.3 X 33.0 deg. at 11mm 7.7 X 5.8 deg. at 66mm	Operation Temperature :	-10 to +50°C
Image Format :	8.8 X 6.6mm (D11mm)	Mount :	C-Mount (Adjustable Lens Position)
Minimum Object Distance :	1.4m (From Front Vertex)	Front Thread :	72mm P0.75
Object Dimensions at M.O.D. :	111.1 X 82.9cm at 11mm 18.8 X 14.2cm at 66mm	Size, Weight :	84.5X85X120mm, Approx. 750g
Optical Back Focal Distance :	15.28mm (In Air)		

[COMPOSITION]

Lens1
 Lens Cap1
 Dust Cap1
 4-Conductor Connector(Female)1
 (Any 4-conductor cable of external dia 6mm to be prepared separately.)

[DIMENSIONS]



[CIRCUIT DIAGRAM]

