

HP3.8M

[SPECIFICATIONS]

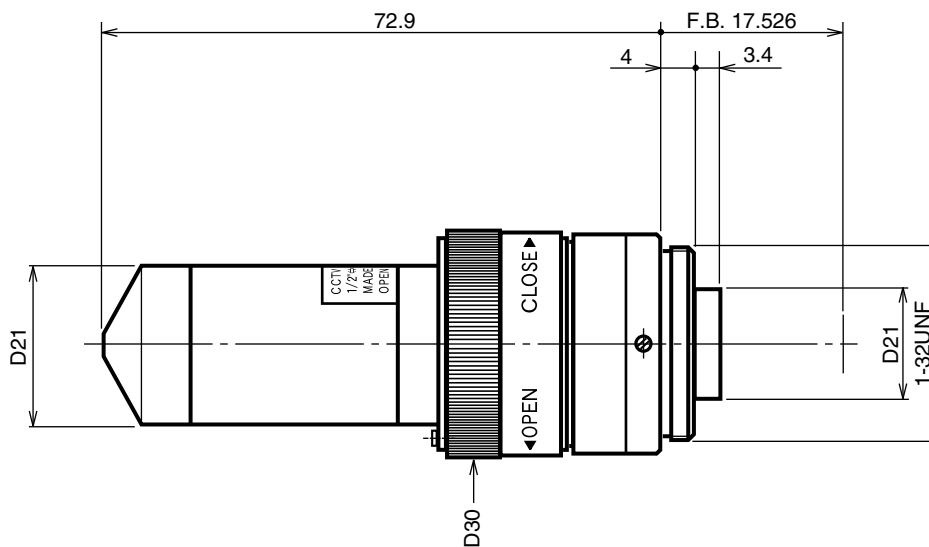
Image Size: $\frac{1}{2}$ $\frac{1}{3}$ $\frac{1}{4}$

Focal Length :	3.8mm	Flange Back :	17.526mm
Maximum Relative Aperture :	1:2.4	Operation :	Focus : - Iris : Manual
Iris :	F2.4 - Close	Operation Temperature :	-10 to +50
Angular Field of View :	80.2X64.6 deg.	Mount :	C-Mount
Image Format :	6.4X4.8mm (D8mm)	Size, Weight :	D30X72.9mm, Approx. 75g
Minimum Object Distance :	1.0m (From Front Vertex)		
Object Dimensions at M.O.D. :	168.4X126.4cm		
Optical Back Focal Distance :	10.41mm (In Air)		

[COMPOSITION]

Dust Cap 1

[DIMENSIONS]



Unit:mm