

HZ10350RDC-IR-MP-4W

[SPECIFICATIONS]

Image Size: $\frac{1}{2}$

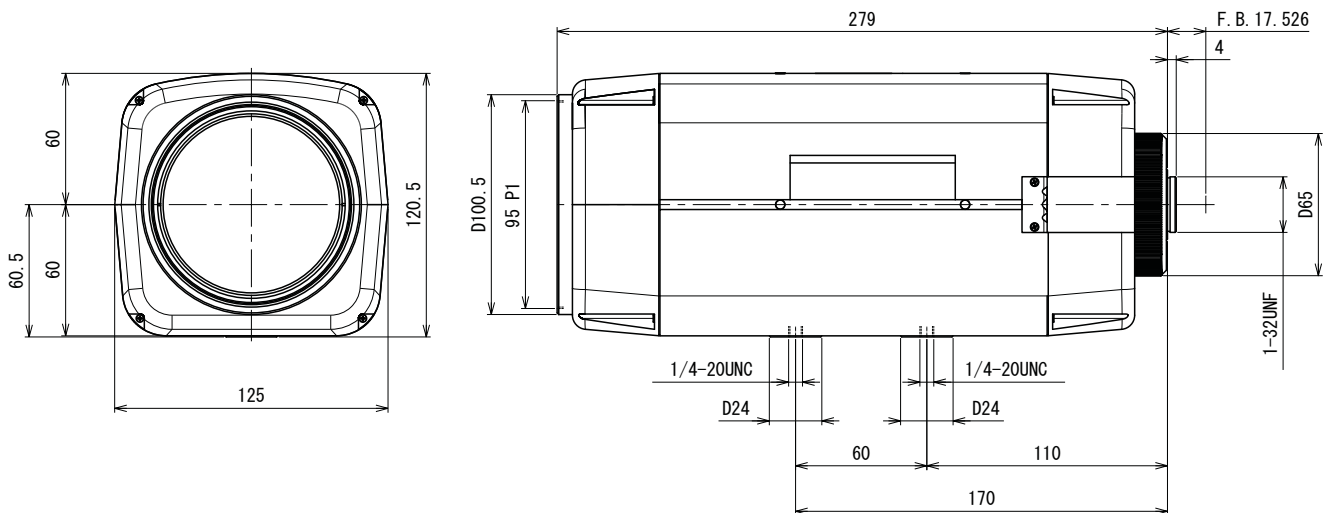
Focal Length :	10 - 350mm	Flange Back :	17.526mm
Maximum Relative Aperture :	1:1.6	Operation :	Zoom : Motorized (DC+/-6.4V , Max40mA)
Iris :	F1.6 - Approx. 360 (Tele F4.5)	Focus :	Motorized (DC+/-6.4V , Max40mA)
Zoom Ratio :	35X	Iris :	IG(Auto Close System) Close to Open : Less than 4.0V Open to Close : More than 0.1V
Angular Field of View :	35.2 X 26.5 deg. at 10mm 1.1 X 0.8 deg. at 350mm	Operation Temperature :	-10 to +50°C
Image Format :	6.4 X 4.8mm (D8mm)	Mount :	C-Mount (Adjustable Lens Position)
Minimum Object Distance :	4m (From Front Vertex)	Front Thread :	95mm P1
Object Dimensions at M.O.D. :	253.4 X 188.5cm at 10mm 7.4 X 5.7cm at 350mm	Size, Weight :	120 X 120.5 X 279mm, Approx. 3.5kg
Optical Back Focal Distance :	15.14mm (In Air)		

[COMPOSITION]

- Lens1
- Lens Cap1
- Dust Cap1

4-Conductor Connector(Female)1
(Any 4-conductor cable of external dia 6mm to be prepared separately.)

[DIMENSIONS]



Unit : mm

[CIRCUIT DIAGRAM]

