

HZ20700RDC-IR-MP-PZF-4W

[SPECIFICATIONS]

Image Size: $\frac{1}{2}$

Focal Length : 20 – 700mm
 Maximum Relative Aperture : 1:3.2
 Iris : F3.2 – Approx. 360 (Tele F9)
 Zoom Ratio : 35X
 Angular Field of View : 17.8 X 13.4 deg. at 20mm
 0.5 X 0.4 deg. at 700mm
 Image Format : 6.4 X 4.8mm (D8mm)
 Minimum Object Distance : 4m (From Front Vertex)
 Object Dimensions at M.O.D. : 125.4 X 93.8cm at 20mm
 3.8 X 2.8cm at 700mm
 Optical Back Focal Distance : 14.93mm (In Air)

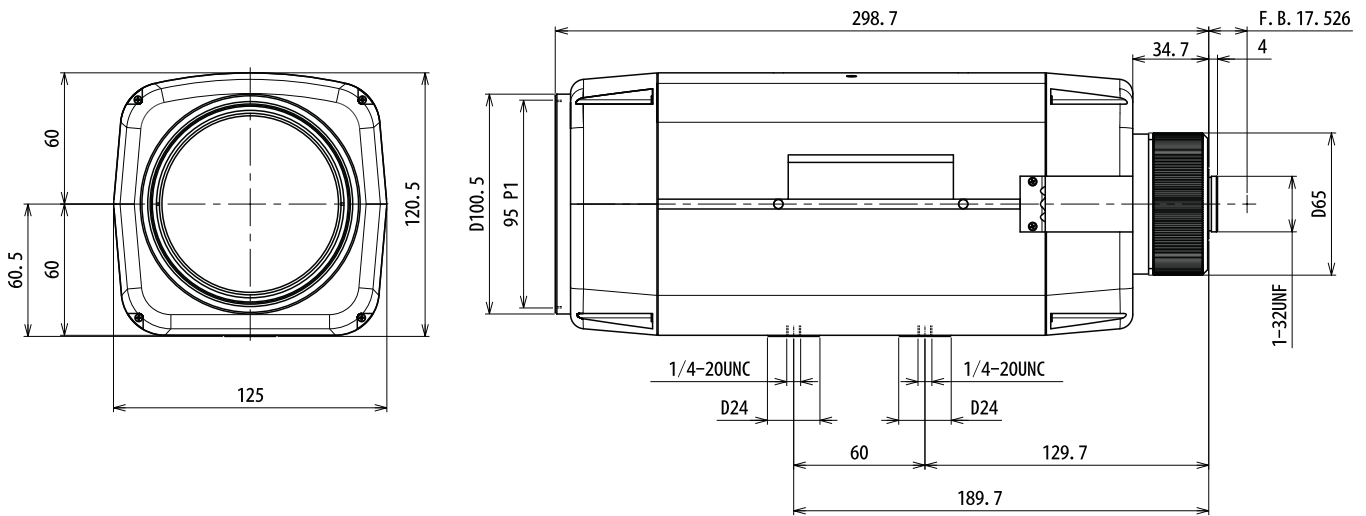
Flange Back : 17.526mm
 Operation : Zoom : Motorized (DC+/-6.4V , Max40mA)
 Focus : Motorized (DC+/-6.4V , Max40mA)
 Iris : IG(Auto Close System)
 Close to Open : Less than 4.0V
 Open to Close : More than 0.1V
 Operation Temperature : -10 to +50°C
 Mount : C-Mount (Adjustable Lens Position)
 Front Thread : 95mm P1
 Size, Weight : 120 X 120.5 X 298.7mm, Approx. 3.5kg

[COMPOSITION]

- Lens1
- Lens Cap1
- Dust Cap1

4-Conductor Connector(Female)1
 (Any 4-conductor cable of external dia 6mm to be prepared separately.)

[DIMENSIONS]



Unit : mm

[CIRCUIT DIAGRAM]

