

JHF12M-5MP SWIR

【SPECIFICATIONS】 Applicable Fixed Lens to InGaAs Camera(900 ~ 1700nm)

Image Size : 2/3

Focal Length : 12mm
 Maximum Relative Aperture : 1:1.8
 Iris : F1.8 ~ 22
 Angle of View : 40.3 × 30.8 °
 Image Size : 8.8 × 6.6mm (11mm)
 Minimum Object Distance : 0.15m (From Front Vertex)
 Resolution : Equivalent to VGA at 900 ~ 1700
 Optical Distortion : Max -0.98% (at near)
 -0.37% (at far)
 TV Distortion : -0.22% (at near)
 0.10% (at far)

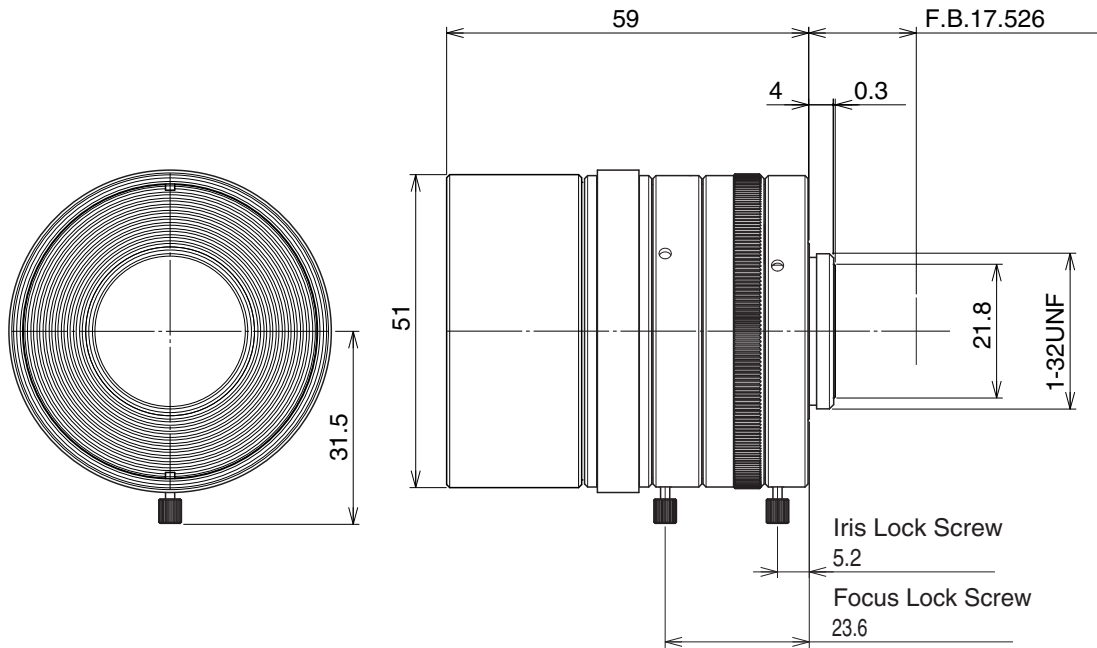
Optical Back Focal Distance : 14.00mm(In Air)
 Flange Back : 17.526mm
 Operation : Focus : Manual
 Iris : Manual
 Operating Temperature : -10 ~ +50
 Mount : C-Mount(Adjustable Lens Position)
 Filter Size : 49mm P0.75
 Size : 51 × 59mm
 Weight : Approx.200 g

【COMPOSITION】

- Lens 1
- Lens Cap 1
- Dust Cap 1

【DIMENSIONS】

Wave(μ m)	Frang Back(mm)
0.9	17.628
1.1	17.791
1.3	18.015
1.5	18.305
1.7	18.667



Unit:mm