

# JHF25M-MP

**【SPECIFICATIONS】** Megapixel-Lens

Image Size: 2/3

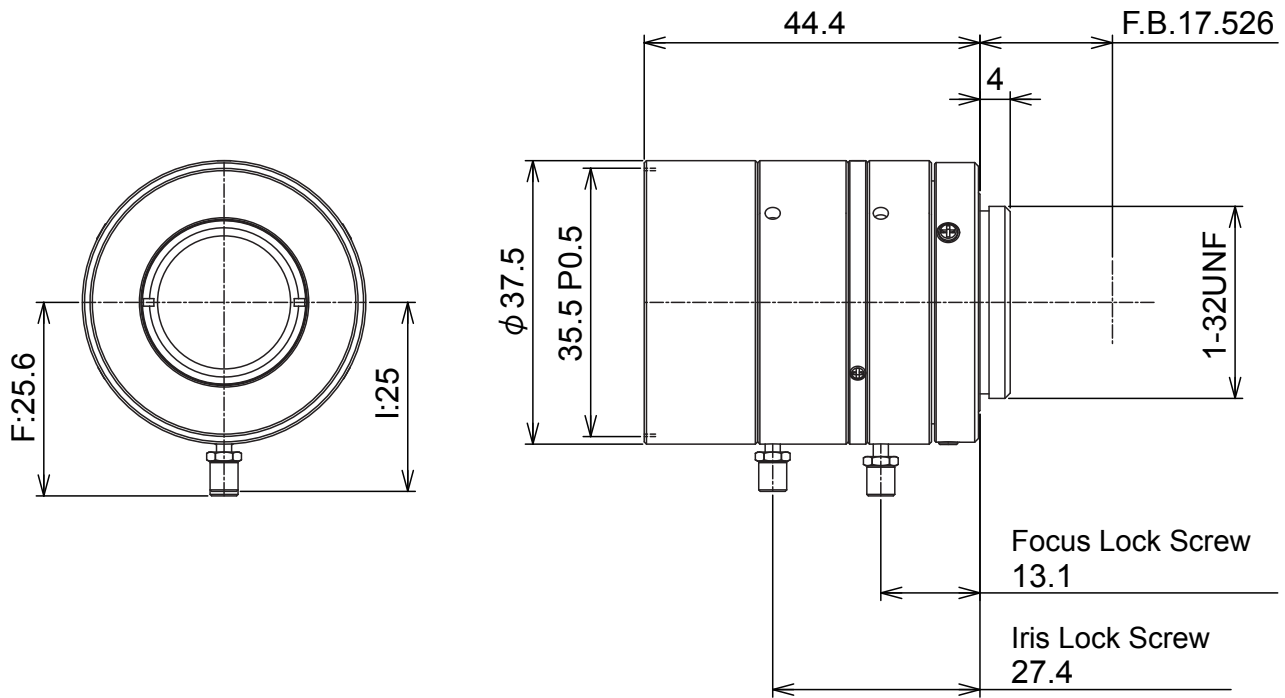
Focal Length : 25mm  
 Maximum Relative Aperture : 1:1.4  
 Iris : F1.4~22  
 Angle of View : 20.0×15.0°  
 Image Size : 8.8×6.6mm (φ11mm)  
 Minimum Object Distance : 0.2m (From Front Vertex)  
 Optical Distortion : Max -0.07% (at near)  
                                   0.21% (at far)  
 TV Distortion : 0.02% (at near)  
                                   0.11% (at far)

Optical Back Focal Distance : 14.01mm(In Air)  
 Frange Back : 17.526mm  
 Operation : Focus : Manual  
                   Iris : Manual  
 Operating Temperature : -10~+50°C  
 Mount : C-Mount  
 Filter Size : 35.5mm P0.5  
 Size : φ37.5×44.4mm  
 Weight : Approx.106 g

**【COMPOSITION】**

- Lens . . . . . 1
- Lens Cap . . . . . 1
- Dust Cap . . . . . 1

**【DIMENSIONS】**



Unit:mm