

VZ2465RDC-IR-MP-PZF-4W

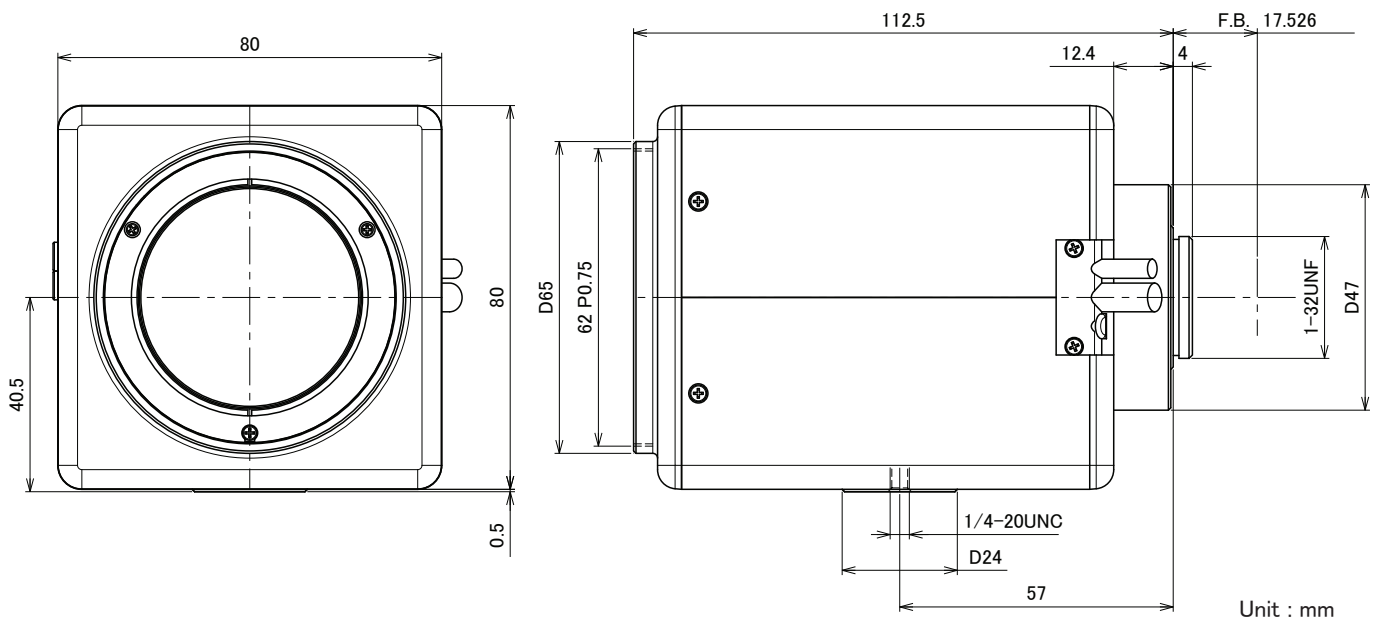
[SPECIFICATIONS]

Image Size : ①

Focal Length :	24 - 65mm	Optical Back Focal Distance :	23.29mm(In Air)
Maximum Relative Aperture :	1:2.0	Frage Back :	17.526mm
Iris :	F2.0 - 360 (No F drop)	Operation :	Zoom : Motorized (DC±6.4V, Max45mA)
Zoom Ratio :	2.7X	Focus :	Motorized (DC±6.4V, Max45mA)
Angle of View :	30.5×22.9 deg. at 24mm 11.2× 8.4 deg. at 65mm	Iris :	IG(Auto Close System)
Image Size :	12.8×9.6mm (ø16mm)	Operating Temperature :	-10 - +50°C
Minimum Object Distance :	7m (From Front Vertex)	Mount :	C-Mount(Adjustable Lens Position)
Object Dimensions at M.O.D :	382.2×283.7cm at 24mm 137.0×103.0cm at 65mm	Filter Size :	62mm P0.75
Resolution :	5.5 μm (ø16.8)	Size :	80×80.5×112.5mm
		Weight :	Approx. 710g

- 2.7X motorized zoom lens for 4 Megapixel Cameras
- Mainly developed for car number plate recognition for use with 1" and 1/1.2" CMOS image sensors without vignetting
- AR coating provides the best transmission at a wavelength of 850nm (**note: lens is not optical day/night, only IR enhanced**)
- Focus shift caused by temperature changes is compensated by optical correction. Best Suited for outdoor use.

[DIMENSIONS]



[CIRCUIT DIAGRAM]

