

VZ3184R-IR-MP-6W

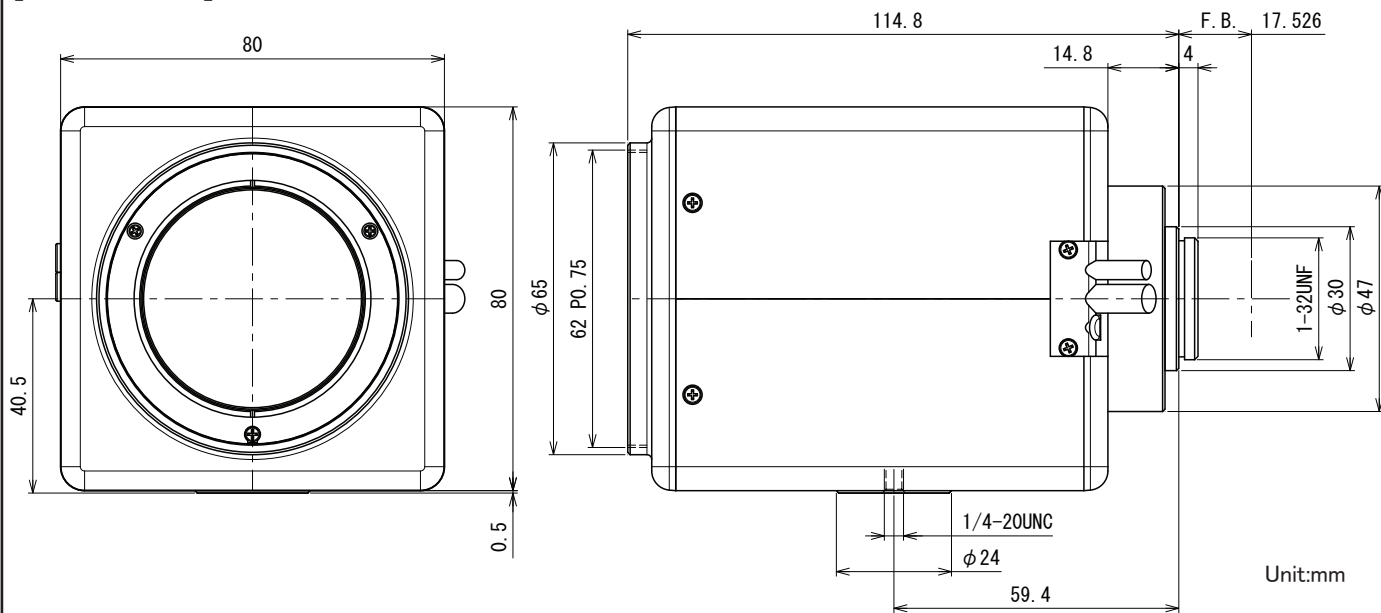
Image Size : ①

[SPECIFICATIONS]

Focal Length :	31 – 84mm	Resolution:	5.5 μ m (ϕ 16.8)
Maximum Relative Aperture :	1:2.6	Flange Back :	17.526mm
Iris :	F2.6 – Close (No F drop)	Operation :	Zoom : Motorized (DC+/-6.4V , Max40mA)
Zoom Ratio :	2.7X	Focus :	Motorized (DC+/-6.4V , Max40mA)
Angular Field of View :	23.6 X 17.7 deg. at 31mm 8.7 X 6.5 deg. at 84mm	Iris :	Motorized (DC+/-6.4V , Max40mA)
Image Fomat :	12.8 X 9.6mm (D16mm)	Operation Temperature :	-10 to +50° C
Minimum Object Distance :	7m (From Front Vertex)	Mount :	C-Mount (Adjustable Lens Position)
Object Dimensions at M.O.D. :	292.3 X 218.1cm at 31mm 106.1 X 79.8cm at 84mm	Front Thread :	62mm P0.75
Optical Back Focal Distance :	24.36mm (In Air)	Size, Weight :	80 X 80.5 X 112.5mm, Approx. 710g

- 2.7X motorized zoom lens for 4 Megapixel Cameras
- Mainly developed for car number plate recognition for use with 1" and 1/1.2" CMOS image sensors without vignetting
- AR coating provides the best transmission at a wavelength of 850nm (**note: lens is not optical day/night, only IR enhanced**)
- Focus shift caused by temperature changes is compensated by optical correction. Best Suited for outdoor use.

[DIMENSIONS]



[CIRCUIT DIAGRAM]

