

VZ3184RP-IR-MP-4W

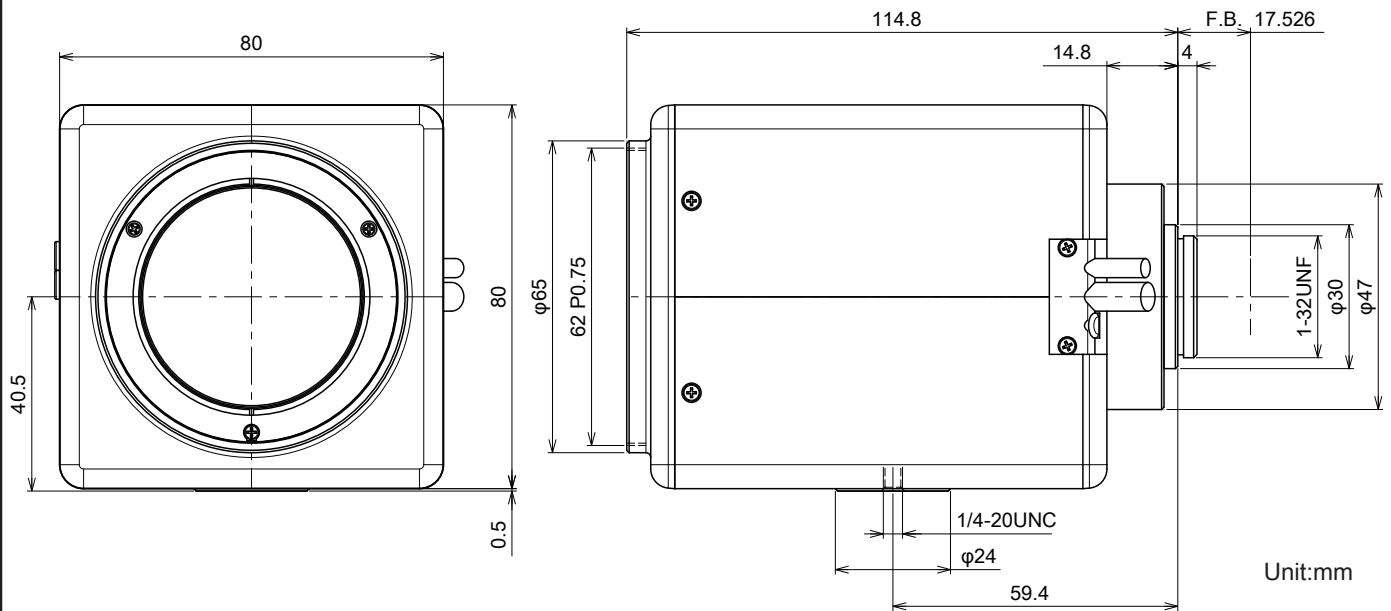
[SPECIFICATIONS]

Image Size : (1)

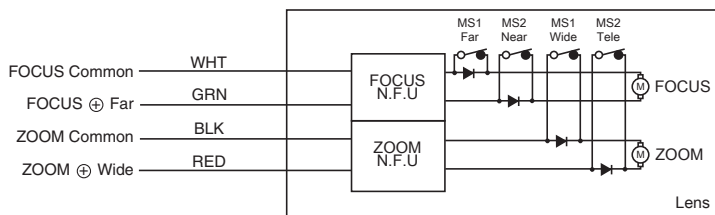
Focal Length :	31 - 84mm	Resolution:	5.5 μm (ø16.8)
Maximum Relative Aperture :	1:2.6	Flange Back :	17.526mm
Iris :	F2.6 - 360 (No F drop)	Operation :	Zoom : Motorized (DC+/-6.4V , Max40mA)
Zoom Ratio :	2.7X	Focus :	Motorized (DC+/-6.4V , Max40mA)
Angular Field of View :	23.6 X 17.7 deg. at 31mm 8.7 X 6.5 deg. at 84mm	Iris :	Stepper Motor
Image Format :	12.8 X 9.6mm (D16mm)	Operation Temperature :	-10 to +50° C
Minimum Object Distance :	7m (From Front Vertex)	Mount :	C-Mount (Adjustable Lens Position)
Object Dimensions at M.O.D. :	292.3 X 218.1cm at 31mm 106.1 X 79.8cm at 84mm	Front Thread :	62mm P0.75
Optical Back Focal Distance :	24.36mm (In Air)	Size, Weight :	80 X 80.5 X 112.5mm, Approx. 710g

- 2.7X motorized zoom lens for 4 Megapixel Cameras
- Mainly developed for car number plate recognition for use with 1" and 1/1.2" CMOS image sensors without vignetting
- AR coating provides the best transmission at a wavelength of 850nm (**note: lens is not optical day/night, only IR enhanced**)
- Focus shift caused by temperature changes is compensated by optical correction. Best Suited for outdoor use.

[DIMENSIONS]



[CIRCUIT DIAGRAM]



Removable Iris Cable (4-Core)

PN NO.	lead wires color	PHASE	STEP	CLOSE		OPEN	
				1	2	3	4
1	RED	B		H	H	L	L
2	WHT	A		H	L	L	H
3	BLK	\bar{A}		L	H	H	L
4	GRN	\bar{B}		L	L	H	H

Do not connect to camera which does not have P-Iris support. It will cause failure. It is not compatible to connect to DC or Video Iris camera.