

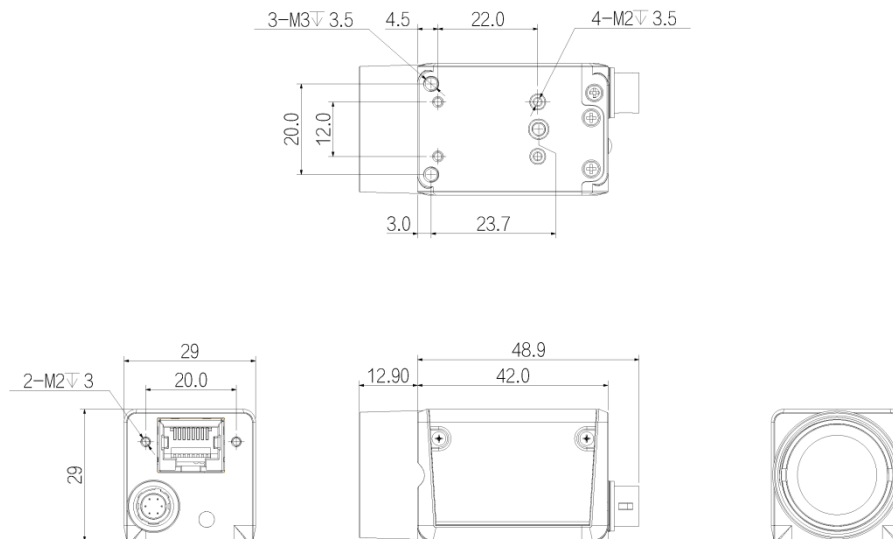
A3051MG000E

Product Features

Gigabit Ethernet interface, providing 1Gbps bandwidth with a maximum transmission distance of 100m;
128MB on-board cache for data transmission or image resend;
Support Software Trigger/Hardware Trigger/Free Run Mode;
Support ISP functions including Sharpness/Denoising/Gamma/LUT/BlackLevel Correction/TargetBrightness/Contrast etc.;
Color cameras support interpolation, white balance, color conversion matrix, chroma, saturation, etc.;
Support multiple image data formats output/ROI/Mirror, etc.;



Dimensions (mm)



Technical Specifications

Model Name	A3051MG000E
Sensor	PYTHON480
Image Sensor	1/3.6"CMOS
Shutter	Global
Resolution	800 x 600
Frame Rate	120
Bit Depth	10
Mono/Color	Color
Pixel Size	4.8 x 4.8
Pixel	0.5MP
S/N Ratio	large 38dB
WDR	60dB
Image Format	Mono8/10/10Packed
Binning	Support
Decimation	Support
ROI	Support
Gain	1~32
Gamma	From 0 to 4 , support LUT
Exposure Time	1 μ S~1S
Trigger Mode	Software Trigger/Hardware Trigger/Free Run Mode
SPC	Support
FPN	Support
User Setting	Support two sets of user-defined configurations
Image Buffer	64MB
Port	GigE
GPIO Interface	1x 6 pin Hirose: 1x Opto-isolated input, 1x Opto-isolated output
Lens Mount	C-mount
Power Supply	PoE/ DC 9V~24V power supply via Hirose interface
Power Consumption	12V \approx 2.8W
Product Dimensions	29mm*29mm*42mm
Weight	88g
Working Environment	Storage: - 30°C~ 80°C ; Operation: - 30°C~ 50°C