

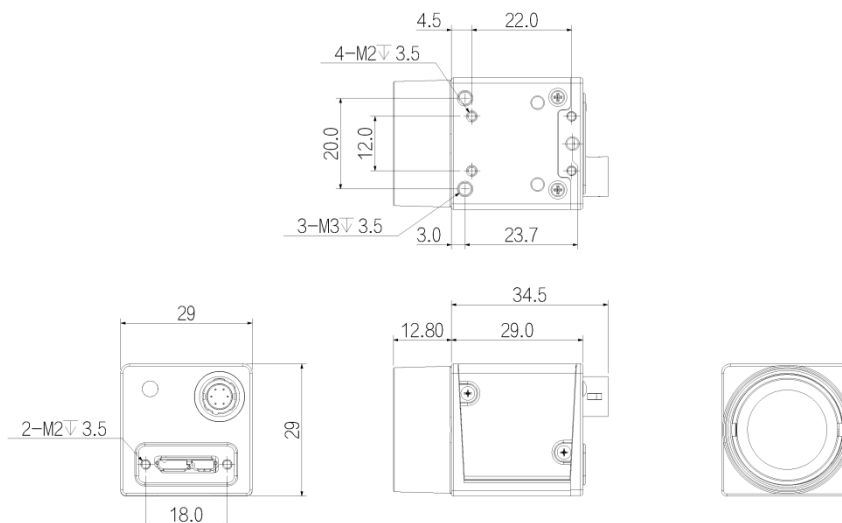
## A3135CU000E

### Product Features

USB3.0 interface, 5Gbps theoretical transfer bandwidth, power supply via USB interface ;  
Compact size of 29mmx29mmx29mm;  
128MB on-board cache for data transmission or image resend;  
Support Software Trigger/Hardware Trigger/Free Run Mode;  
Support ISP functions including Sharpness/Denoising/Gamma/LUT/BlackLevel Correction/TargetBrightness etc. ;  
Color cameras support interpolation, white balance, color conversion matrix, chroma, saturation, etc. ;



### Dimensions ( mm )



## Technical Specifications

Model Name	A3135CU000E
Sensor	RJ33J4CA0DT
Image Sensor	1/3" CCD
Shutter	Global
Resolution	1280 x 960
Frame Rate	33
Bit Depth	14
Mono/Color	Color
Pixel Size	3.75 x 3.75
Pixel	1.2MP
S/N Ratio	large 38dB
WDR	63dB
Image Format	BayerRG8/10/10Packed , BayerGB8/10/10Packed
ROI	Support
Gain	1~32
White Balance	Automatic white balance
Gamma	From 0 to 4 , support LUT
Exposure Time	1 $\mu$ S~1S
Trigger Mode	Software Trigger/Hardware Trigger/Free Run Mode
SPC	Support
User Setting	Support two sets of user-defined configurations
Image Buffer	64MB
Port	USB3.0
GPIO Interface	6 pin Hirose: 1x Opto-isolated input, 1x Opto-isolated output, 1 configurable input and output
Lens Mount	C
Power Supply	power supply via USB interface/ DC 9V~24V auxiliary power supply via Hirose interface
Power Consumption	$\approx$ 2.4W
Product Dimensions	29mm*29mm*29mm
Weight	68g
Working Environment	Storage : - 30°C~ 80°C ; Operation : - 30°C~ 50°C