

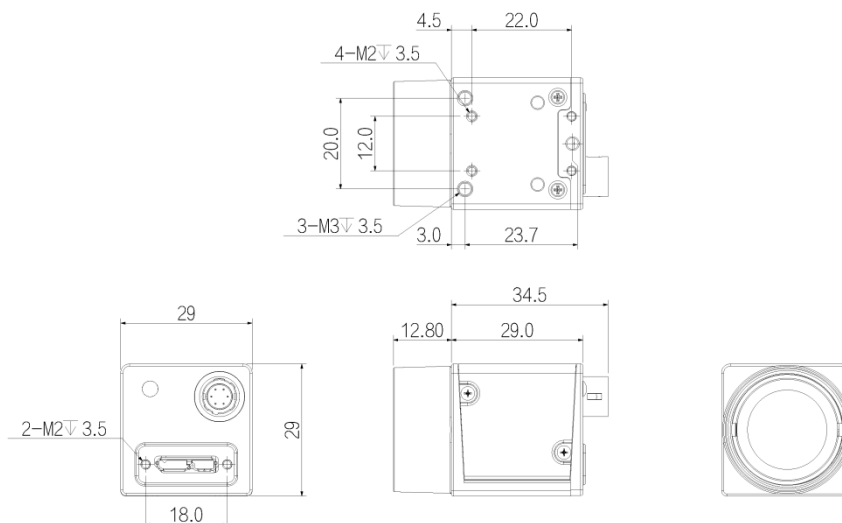
## A5131MU210E

### Product Features

USB3.0 interface, 5Gbps theoretical transfer bandwidth, power supply via USB interface ;  
Compact size of 29mmx29mmx29mm;  
128MB on-board cache for data transmission or image resend;  
Support Software Trigger/Hardware Trigger/Free Run Mode;  
Support ISP functions including Sharpness/Denoising/Gamma/LUT/BlackLevel Correction/TargetBrightness/Contrast etc. ;  
Support multiple image data formats output/ ROI/Binning/Mirror, etc. ;  
Compatible with USB3.0 Vision protocol and GenICam standard;



### Dimensions ( mm )



## Technical Specifications

Model Name	A5131MU210E
Sensor	PYTHON 1300
Image Sensor	1/2"CMOS
Shutter	Global
Resolution	1280 x 1024
Frame Rate	208
Bit Depth	10
Mono/Color	Mono
Pixel Size	4.8x4.8
Pixel	1.3MP
S/N Ratio	large 38dB
WDR	60dB
Image Format	Mono8/10/10Packed
Binning	Support
Decimation	Support
ROI	Support
X Flip	Support
Y Flip	Support
Gain	1~32
Gamma	From 0 to 4 , support LUT
Exposure Time	40μS~1S
Trigger Mode	Software Trigger/Hardware Trigger/Free Run Mode
SPC	Support
FPN	Support
User Setting	Support two sets of user-defined configurations
Image Buffer	64MB image cache
Port	USB3.0
GPIO Interface	1x Opto-isolated input, 1x Opto-isolated output, 1 configurable input and output
Lens Mount	C
Power Supply	power supply via USB interface/ DC 9V~24V power supply via Hirose interface
Power Consumption	≈3.4W
Product Dimensions	29mm*29mm*29mm
Weight	60g
Working Environment	Storage : - 30°C~ 80°C ; Operation : - 30°C~ 50°C