

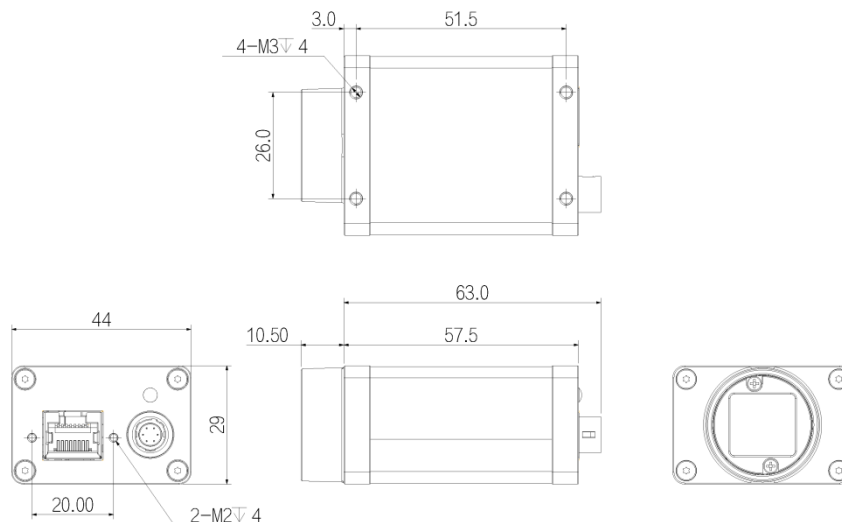
## A5B57MG200E

### Product Features

Gigabit Ethernet interface, providing 1Gbps bandwidth with a maximum transmission distance of 100m;  
256MB on-board cache for data transmission or image resend;  
Support Software Trigger/Hardware Trigger/Free Run Mode;  
Support ISP functions including Sharpness/Denoising/Gamma/LUT/BlackLevel Correction/TargetBrightness/Contrast etc.;  
Support multiple image data formats output/ROI/Binning/Mirror, etc.;  
Conform to GigE Vision V2.0 protocol and GenICam standard;  
Support PoE power supply, DC 9V~24V wide voltage power supply;



### Dimensions ( mm )



## Technical Specifications

Model Name	A5B57MG200E
Sensor	Gpixel
Image Sensor	1.1"CMOS
Shutter	Global
Resolution	5120 x 5120
Frame Rate	4
Bit Depth	12
Mono/Color	Mono
Pixel Size	2.5x2.5
Pixel	25MP
S/N Ratio	large 35dB
WDR	large 64dB
Image Format	Mono8/10/10Packed/12/12Packed
Binning	Support
ROI	Support
X Flip	Support
Y Flip	Support
Gain	1~32
Gamma	From 0 to 4 , support LUT
Exposure Time	5 $\mu$ S~1S
Trigger Mode	Software Trigger/Hardware Trigger/Free Run Mode
SPC	Support
User Setting	Support two sets of user-defined configurations
Image Buffer	128MB Image Cache
Port	GigE, PoE
GPIO Interface	1x 6 pin Hirose: 1x Opto-isolated input, 1x Opto-isolated output,
Lens Mount	C-mount
Power Supply	PoE / DC 9V~24V power supply via Hirose interface
Power Consumption	12V $\approx$ 4.0W
Product Dimensions	29mm*44mm*58mm (not including lens mount and rear case connector)
Weight	100g
Working Environment	Storage: - 30°C~ 80°C ; Operation: - 30°C~ 50°C