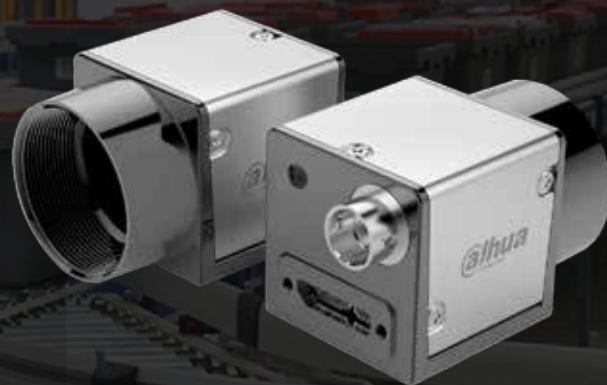


▲ A7040M/CU000E

- 5Gbps bandwidth USB3.0 interface
- 128MB on-board frame buffer
- Support multiple image data formats
- Conform to CE, FCC, RoHS certifications
- Software trigger/Hardware trigger/Free run mode
- Conforms to USB 3.0 vision protocol and GenICam standard



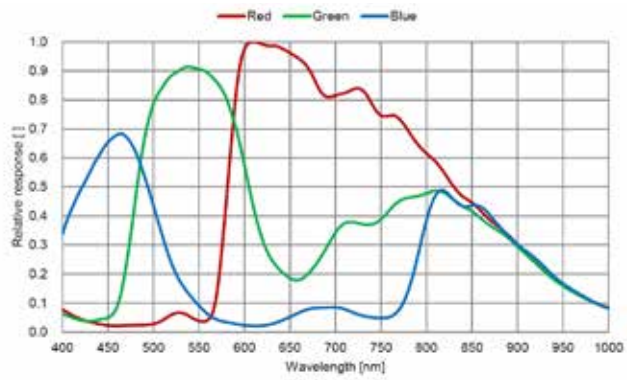
Specification

| Model | Sensor | Sensor type | Shutter | Resolution | Frame rate (fps) | Bit depth | Interface | Mono/Color | Pixel size (μ m) | Sensor size |
|-------------|--------|-------------|---------|------------|--------------------|-----------|-----------|------------|--------------------|-------------|
| A7040MU000E | IMX287 | CMOS | Global | 720x 540 | 439 | 10 | USB3.0 | Mono | 6.9 x 6.9 | 1/2.9" |
| A7040CU000E | IMX287 | CMOS | Global | 720x 540 | 439 | 10 | USB3.0 | Color | 6.9 x 6.9 | 1/2.9" |

| Model | A7040MU000E | A7040CU000E |
|-------------------|--|--|
| Effective Pixels | 0.4MP | |
| SNR | >38dB | |
| Dynamic Range | 70dB | |
| GPIO | 6 pin Hirose: 1 Opto-isolated input, 1 Opto-isolated output, 1 configurable input/output without opto isolation | |
| Image Format | Mono8/10/10Packed | BayerRG8/10/10Packed, BayerGB8/10/10Packed |
| Binning | Support | -- |
| Gain | X1~X32 | |
| Gamma | Range from 0 to 4, support LUT | |
| Exposure Time | 20μs~1S | |
| Trigger Mode | Software trigger/Hardware trigger/Free run mode | |
| Image Buffer | 64MB | |
| User Setting | Support two sets of user-defined configurations | |
| Dimensions | 29mmx29mmx29mm(not including lens mount and rear case connector) | |
| Weight | 60g | |
| Power Supply | Power supply via USB connector /DC power supply by Hirose connector, with voltage range from 6V to 26V | |
| Power Consumption | ≈3.2W | |
| Lens Mount | C | |
| Temperature | Storage temperature:-30° C~ + 80° C; Operation temperature:-30° C~+50° C | |

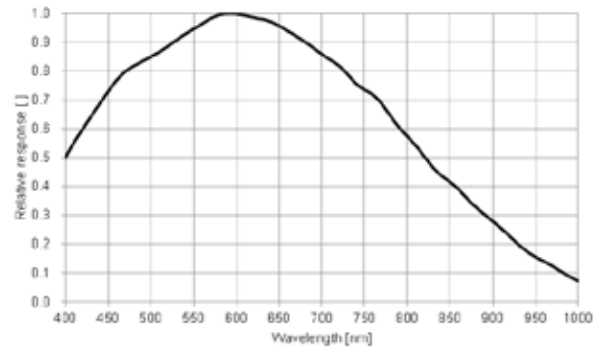
Spectrogram

A7040CU000E



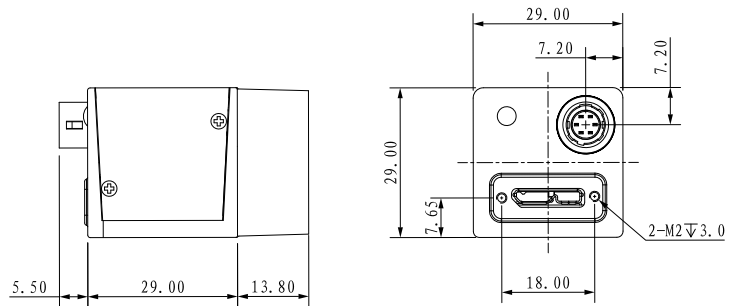
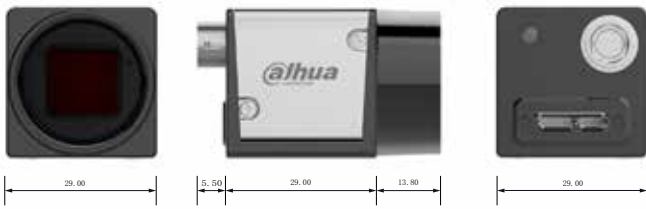
Quantum Efficiency Curve for Mono and Color Sensor

A7040MU000E

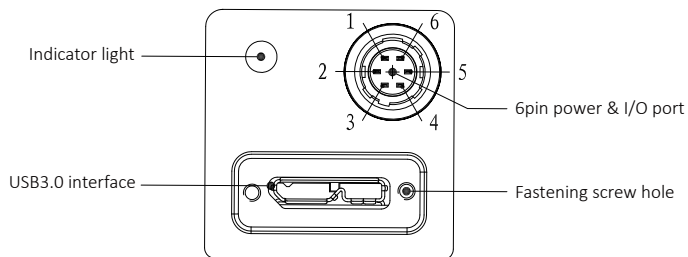


Quantum Efficiency Curve for Mono Sensor

Dimensions



IO Interface Instruction



| Pin | Signal | Description |
|-----|--------|------------------------------|
| 1 | Power | DC 6V-26V input |
| 2 | Line1 | Opto-isolated input |
| 3 | Line2 | Configurable IO input/output |
| 4 | Line0 | Opto-isolated output |
| 5 | IO GND | Opto-isolated ground |
| 6 | GND | Ground |