

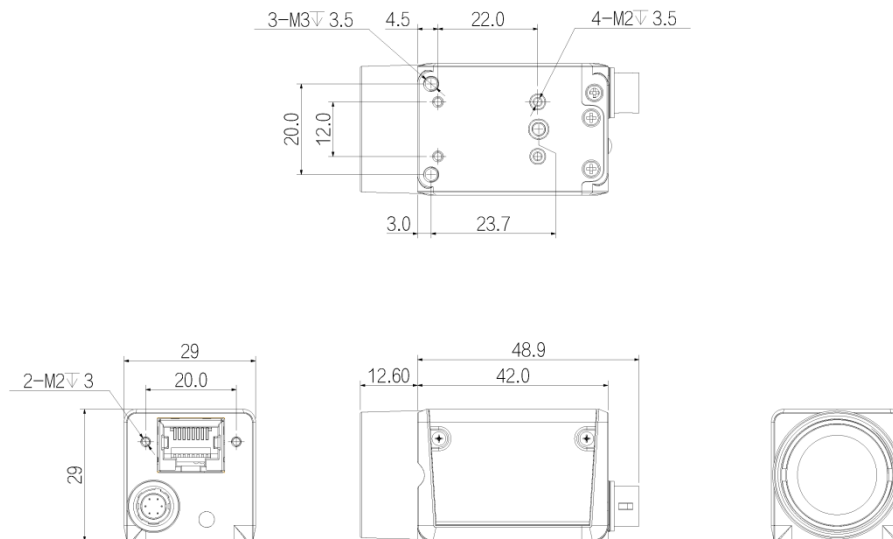
A7200CG30E

Product Features

Gigabit Ethernet interface, providing 1Gbps bandwidth with a maximum transmission distance of 100m;
128MB on-board cache for data transmission or image resend;
Support Software Trigger/Hardware Trigger/Free Run Mode;
Support ISP functions including Sharpness/Denoising/Gamma/LUT/BlackLevel Correction/TargetBrightness/Contrast etc.;
Color cameras support interpolation, white balance, color conversion matrix, chroma, saturation, etc.;
Support multiple image data formats output/ROI/Mirror, etc.;



Dimensions (mm)



Technical Specifications

Model Name	A7200CG30E
Sensor	IMX249
Image Sensor	1/1.2"CMOS
Shutter	Global
Resolution	1920 x 1200
Frame Rate	39
Bit Depth	12
Mono/Color	Color
Pixel Size	5.86 x 5.86
Pixel	2.3MP
S/N Ratio	large 38dB
WDR	70dB
Image Format	Mono8,BayerRG8/10/10Packed , BayerGB8/10/10Packed,YUV422Packed
ROI	Support
X Flip	Support
Y Flip	Support
Gain	1~32
White Balance	Automatic white balance
Gamma	From 0 to 4, support LUT
Exposure Time	26μS~1S
Trigger Mode	Software Trigger/Hardware Trigger/Free Run Mode
SPC	Support
User Setting	Support two sets of user-defined configurations
Image Buffer	64MB
Port	GigE,PoE
GPIO Interface	1x 6 pin Hirose: 1x Opto-isolated input, 1x Opto-isolated output, 1 configurable input and output
Lens Mount	C-mount
Power Supply	PoE/ DC 9V~24V power supply via Hirose interface
Power Consumption	12V≈2.8W
Product Dimensions	29mm*29mm*42mm (not including lens mount and rear case connector)
Weight	88g
Working Environment	Storage: - 30°C~ 80°C ; Operation: - 30°C~ 50°C