

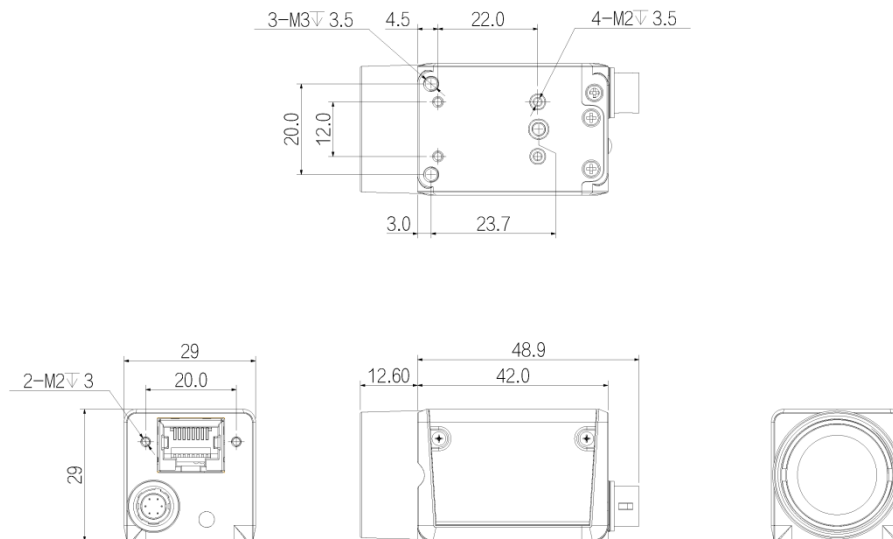
A7500MG20E

Product Features

Gigabit Ethernet interface, providing 1Gbps bandwidth with a maximum transmission distance of 100m;
128MB on-board cache for data transmission or image resend;
Support Software Trigger/Hardware Trigger/Free Run Mode;
Support ISP functions including Sharpness/Denoising/Gamma/LUT/BlackLevel Correction/TargetBrightness/Contrast etc.;
Support multiple image data formats output/ROI/Binning/Mirror, etc.;
Conform to GigE Vision V2.0 protocol and GenICam standard;
Support PoE power supply, DC 9V~24V wide voltage power supply;



Dimensions (mm)



Technical Specifications

Model Name	A7500MG20E
Sensor	IMX264
Image Sensor	2/3"CMOS
Shutter	Global
Resolution	2448 x 2048
Frame Rate	20
Bit Depth	12
Mono/Color	Mono
Pixel Size	3.45 x 3.45
Pixel	5MP
S/N Ratio	large 38dB
WDR	70dB
Image Format	Mono8/10/10Packed
Binning	Support
ROI	Support
X Flip	Support
Y Flip	Support
Gain	1~32
Gamma	From 0 to 4, support LUT
Exposure Time	34.23μS~1S
Trigger Mode	Software Trigger/Hardware Trigger/Free Run Mode
SPC	Support
User Setting	Support two sets of user-defined configurations
Image Buffer	64MB
Port	GigE,PoE
GPIO Interface	1x 6 pin Hirose: 1x Opto-isolated input, 1x Opto-isolated output, 1 configurable input and output
Lens Mount	C-mount
Power Supply	PoE/ DC 9V~24V power supply via Hirose interface
Power Consumption	12V≈3.2W
Product Dimensions	29mm*29mm*42mm (not including lens mount and rear case connector)
Weight	88g
Working Environment	Storage: - 30°C~ 80°C ; Operation: - 30°C~ 50°C