

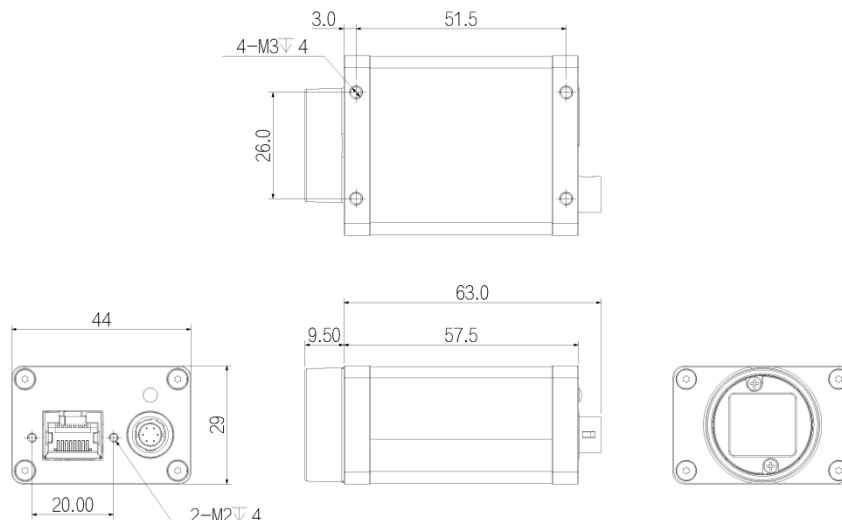
## A7A20MG9E

### Product Features

Gigabit Ethernet interface, providing 1Gbps bandwidth with a maximum transmission distance of 100m;  
128MB on-board cache for data transmission or image resend;  
Support Software Trigger/Hardware Trigger/Free Run Mode;  
Support ISP functions including Sharpness/Denoising/Gamma/LUT/BlackLevel Correction/TargetBrightness/Contrast etc.;  
Support multiple image data formats output/ROI/Binning/Mirror, etc.;  
Conform to GenICam standard;  
Support PoE power supply, DC 9V~24V wide voltage power supply;



### Dimensions ( mm )



## Technical Specifications

Model Name	A7A20MG9E
Sensor	IMX304
Image Sensor	1.1"CMOS
Shutter	Global
Resolution	4096 x 3000
Frame Rate	9
Bit Depth	12
Mono/Color	Mono
Pixel Size	3.45 x 3.45
Pixel	12.29MP
S/N Ratio	large 38dB
WDR	70dB
Image Format	Mono8/10/10Packed/12/12Packed
Binning	Support
ROI	Support
X Flip	Support
Y Flip	Support
Gain	1~32
Gamma	0~4, 支持 LUT
Exposure Time	48μS~1S
Trigger Mode	Support Software Trigger/Hardware Trigger/Free Run Mode;
SPC	Support
User Setting	Support two sets of user-defined configurations
Image Buffer	64MB
Port	GigE,PoE
GPIO Interface	1x 6 pin Hirose: 1x Opto-isolated input, 1x Opto-isolated output
Lens Mount	C-mount
Power Supply	PoE/ DC 9V~24V power supply via Hirose interface
Power Consumption	12V≈3.2W
Product Dimensions	29mm*44mm*58mm (not including lens mount and rear case connector)
Weight	100g
Working Environment	Storage: - 30°C~ 80°C ; Operation: - 30°C~ 50°C