

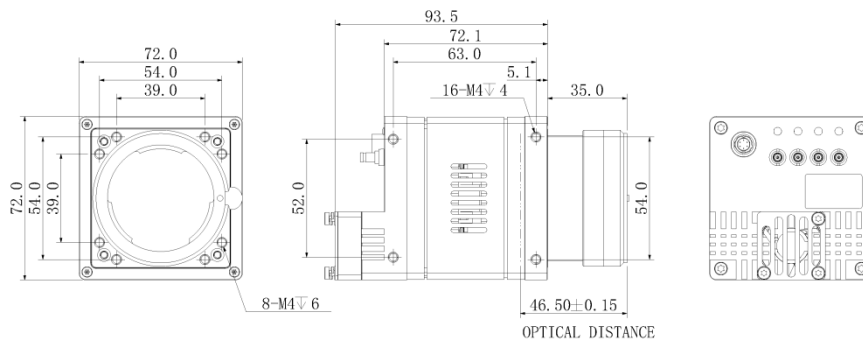
## AX5A22MX060E

### Product Features

- CXP-6 interface, 4\*6.25Gbps theoretical transfer bandwidth;
- Support hardware trigger/free run mode;
- Support FFC;
- Support multiple image data formats output, ROI and etc. ;
- Conforms to CoaXPress protocol and GenICam standard;
- Support PoCXP and DC 24V power supply;
- Conform to CE, FCC, UL and RoHS;



### Dimensions ( mm )



## Technical Specifications

Model Name	AX5A22MX060E
Sensor	CMV12000
Image Sensor	22.5mm x 16.9mm
Shutter	Global
Resolution	4096 x 3072
Frame Rate	188
Bit Depth	12
Mono/Color	Mono
Pixel Size	5.5 x 5.5
Pixel	12MP
S/N Ratio	41.3dB
WDR	60dB
Image Format	Mono8/Mono10/Mono12
ROI	Support
X Flip	Support
Y Flip	Support
Gain	1~100
Exposure Time	50μS~5S
Trigger Mode	Software Trigger/Hardware Trigger/Free Run Mode
SPC	Support
User Setting	Support two sets of user-defined configurations
Image Buffer	2GB data cache
Port	CXP-6
GPIO Interface	3x configurable input and output
Lens Mount	F-Mount
Power Supply	DC24V power supply via 6-pin Hirose interface
Power Consumption	24V≈15W
Product Dimensions	72mm*72mm*72mm(not including rear case connector)
Weight	720g
Working Environment	Storage:- 30°C~ 80°C ; Operation:- 30°C~ 50°C