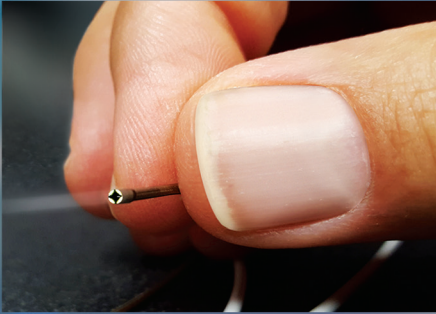


## SV-1000

1.6 mm Ø Digital Video Borescope



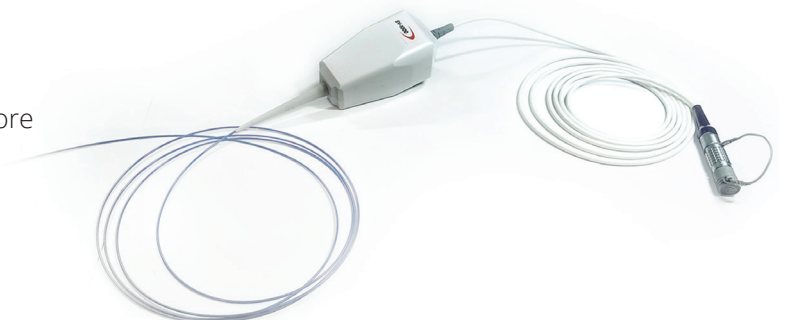
CANON MEDICAL SYSTEMS USA, Video Sensing Division introduces innovative video borescope system. Small, 1.6 mm Ø O.D. x 1.9m, water-resistant IPx7 rated inspection camera is specially designed for clear, illuminated borescope and industrial equipment inspections where space is limited.

**Camera features** extremely rugged flexible shaft and 400 x 400 pixel resolution, 120-degree field-of-view lens and 5 mm to 50 mm working focus distance. The compact camera control unit provides simultaneous HDMI® and USB 3.0 outputs for live viewing from a monitor or recording through a PC.

**SV-1000** is ideally suited for a diverse range of inspection applications including;

- Small size - only 1.6 mm Ø O.D.
- Sensor - CMOS, 1 mm x 1 mm
- 400 x 400 pixel resolution
- 120-degree FOV lens
- Integrated LED light for illumination within a 1.9m flexible shaft
- Dual, simultaneous image outputs - HDMI and USB 3.0
- PC-based image viewing software for display and capture of images and video clips for documentation is available
- Ideal for inspection of:
  - Engine parts
  - Turbine blades
  - Injection molded parts
  - Castings
  - Tooling
  - Pipes
  - Tubing
  - And more

**Note:** SV-1000 is not for use in surgical endoscope and medical instrument inspection applications.



# SV-1000

1.6 mm Ø Digital Video Borescope

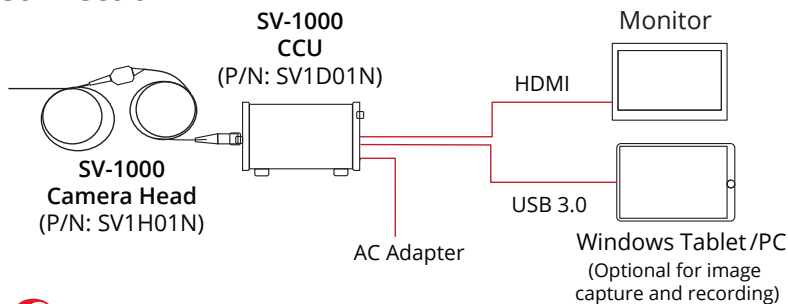
1.6MM Ø x 1.9M FLEXIBLE CHIP-ON-TIP  
DIGITAL VIDEO BORESCOPE SYSTEM WITH ILLUMINATION

## Performance Specifications

### SYSTEM COMPONENTS

Camera assembly diameter	<1.6 mm
Camera sheath length tip-to-handle mount	1.9m
Cable length handle mount to CCU	2.0m
Total cable and sheath length, tip to CCU	3.9m
LED location	Handle mount
Illumination	LED with glass fiber bundle
<b>SENSOR</b>	
Type	CMOS
Size	1.05 x 1.05 (1/18")
Pixel matrix	400 x 400
Scanning system	Progressive
Electronic shutter	Rolling
<b>OPTICS</b>	
FOV - field of view	120°
Depth of focus	5 to 50 mm
Magnification - depends on viewing distance	up to 12x
F number	f 5.0
Focal length	0.418 mm
Output	HDMI USB 3.0 (type B)
Output frame rate	30 fps
S/N Ratio	36.8dB
PC Required for use	No
Recording SW	See connection diagram below
Recorded image formats	.JPG for stills .AVI for video
Water resistance rating	Yes - water-resistant camera assembly Scope tip to connector IPx7 / CCU IPx4
Camera head / handle mounting	1/4 - 20 threaded socket
Handle Dimensions	84 x 44 x 39 mm 3.3 x 1.8 x 1.6"
CCU Dimensions L W H & weight	90 x 158 x 59 mm 3.5 x 6.2 x 2.3" 0.59 kg (1.3 lbs)
Power input	12V DC, 1A
Included accessories	12V DC power adapter 6' HDMI cable 6' USB 3.0 cable type A to type B

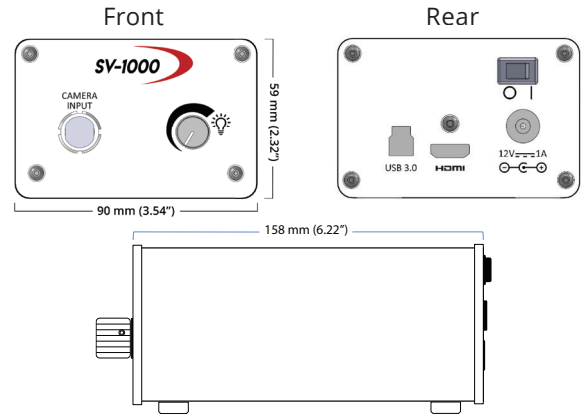
## Connection



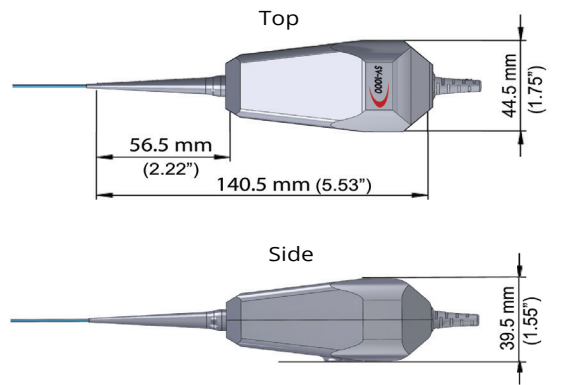
## System Components

SVH01N Camera Head Assembly / SVD01N CCU  
Optional HDMI Display / Optional Tablet with SW for Recording  
Optional Mounting HW

### CCU Dimensions



### Camera Handle



Convenient 1/4 - 20 threaded tripod mount for attaching to a fixture or holder.



**Canon**

CANON MEDICAL SYSTEMS USA, INC. Video Sensing Division  
<https://us.medical.canon/vsd> | 2441 Michelle Drive, Tustin California 92780

© 2019 CANON MEDICAL SYSTEMS USA, INC. All rights reserved. All products and names mentioned are the property of their respective owners. While Canon has made every effort at the time of publication to ensure the accuracy of the information provided herein, product specifications, configurations, prices, system/component/ options availability are all subject to change without notice.

VSSV1000 093019V3

**Note:** SV-1000 is not for use in surgical endoscope and medical instrument inspection applications.