

SRMXW-15.6 Series

15.6" Outdoor Sunlight Readable LCD Monitor

- 1,000 to 1,500 nits Brightness
- Full HD Resolution: 1920 x 1080 (1080p/60)
- NEMA 4X Water Resistant Stainless Steel Enclosure
- Video Inputs: VGA, HDMI, DisplayPort or VGA, HDMI, HD-SDI, BNC
- Anti-Reflective Glass
- Auto Re-Start After Power Loss
- TRU-Tuff Ensures Maximum Shock/Vibration Resistance
- Can Be Customized To Meet Your Needs
- 3-Year Warranty



15.6 WATERPROOF SUNLIGHT MONITORS

The SRMXW-15.6 Series are 15.6 waterproof sunlight monitors. All monitors in the series are Full HD Resolution. Additionally, they have a 16:9 aspect ratio. We design this 15.6" high bright display for use in direct bright sunlight. Consequently, they are also perfect for other high ambient-light conditions. They utilize state-of-the-art LED backlights. The SRMHEXW-15.6Z model produces up to 1,500 nits brightness. In contrast, this is over 3 to 5 times brighter than standard monitors. For example, standard monitors are only 200-300 nits brightness. Therefore, the result is an amazingly bright screen. This will provide you with sharp, clear images even with bright sunlight on the face of the screen. For nighttime use, the Dim-To-Black function. That will enable users to dim the brightness of the monitor as needed via front OSD buttons. The SRMHEXW-15.6X model has HD-SDI input.

RUGGED OUTDOOR MONITORS

These 15.6" sunlight readable waterproof displays are extremely rugged. For instance, we build them with true industrial-grade components. Furthermore, they receive our exclusive TRU-Tuff treatment. The TRU-Tuff process includes RTV silicone on all connections and critical components. Additionally, all wires are dressed, tie-wrapped and secured. We then apply ThreadLock to all screws. Lastly, the rugged waterproof stainless steel enclosure will ensure maximum shock and vibration resistance.

WATERPROOF MONITOR

These monitors feature a rugged waterproof NEMA 4X stainless steel enclosure. It is impervious to liquids, rust or corrosion. Rated NEMA 4X, it features protective Anti-Reflective glass over the LCD panel. The 15.6" outdoor monitors will withstand the elements outdoors. It will also endure wash-downs in industrial and food processing plants. For instructions on maintaining water tight integrity, follow these procedures: [Cable Entry for TRU-Vu Waterproof Monitors \(PDF\)](#)

EXTREME OPERATING TEMPERATURES

We design the SRMXW-15.6 Series high brightness displays to operate in nearly any environmental conditions. Whether in frigid conditions or blazing heat, these sunlight displays will survive and thrive. To clarify, these monitors will operate in temperatures down to +22°F (-30°C). They will also withstand brutal heat. For example, operating temperatures go up to +185°F (+85°C). The rugged NEMA 4X Water Resistant Stainless Steel Enclosure will assure years of reliable imaging performance. Specifically, typical MTBF for these monitors is 50,000 hours.

OUTDOOR MONITORS DEPLOYED WORLDWIDE

Our 15.6" outdoor monitors with 1,500 nit brightness are found in a wide range of demanding industries. For example, military, law enforcement, aviation and entertainment have benefitted. We also deploy them into the inspection, marine, oil & gas, industrial and transportation industries. Furthermore, TRU-Vu monitors are backed by our full 3-Year Warranty. This ensures you of many years of reliable service.

See our full line-up of industrial-grade Sunlight Readable and Daylight Readable displays. This filters all of our monitors by high brightness features. Additionally, you'll find the sunlight readable touch screens in all the sizes and configurations available.

We specifically design all TRU-Vu industrial LCD monitors for use in demanding applications. Every TRU-Vu monitor utilizes industrial-grade components. We provide high-end LCD panels not found in retail or consumer-grade monitors. This ensures superior image quality and improved performance with greater durability. Our 3-Year Warranty guarantees you of reliable worry-free operation. We offer technical and repair service to back it up.

OUR TECHNICAL EXPERTS ARE READY TO HELP YOU FIND THE BEST OUTDOOR MONITOR

We over 540 LCD monitors and touch screens on our site. Selecting the ideal equipment, or touch screen solution may be a bit overwhelming. To help narrow-down the choices, check out our [Advanced Search Tool](#). For example, this enables you filter by your own specific search requirements. Shop by size [13.3" - 19" Monitors](#), filter by [Water Proof Monitors](#), or see all monitors that operate can operate on [24VDC](#) for similar models. TRU-Vu can provide modified or [Custom OEM LCD Displays](#). [Private Label Monitors](#) are also an option if you have very specific requirements. We also offer our 15.6" monitors/ touch screens as [Medical Grade Display](#) solutions. Visit our wide range of [LCD monitor mounts and stands](#) to complete your installation.

Finally, our team members are ready to help! We can determine the exact solution that will meet your specific needs. Certainly, TRU-Vu will help provide crystal-clear images for your operating requirements. Call (847) 259-2344 today to speak with one of our specialists. Above all, we will listen. It's one of the things we do best. Our professional advisors will ensure the monitor or touch screen you receive will be and do everything you had hoped it would!

If you prefer, fill out a [quick form](#) with your requirements. We will guide you to the proper models that will work best once we understand your requirements and goals. We've been in business for 30 years and will continue to earn your trust.

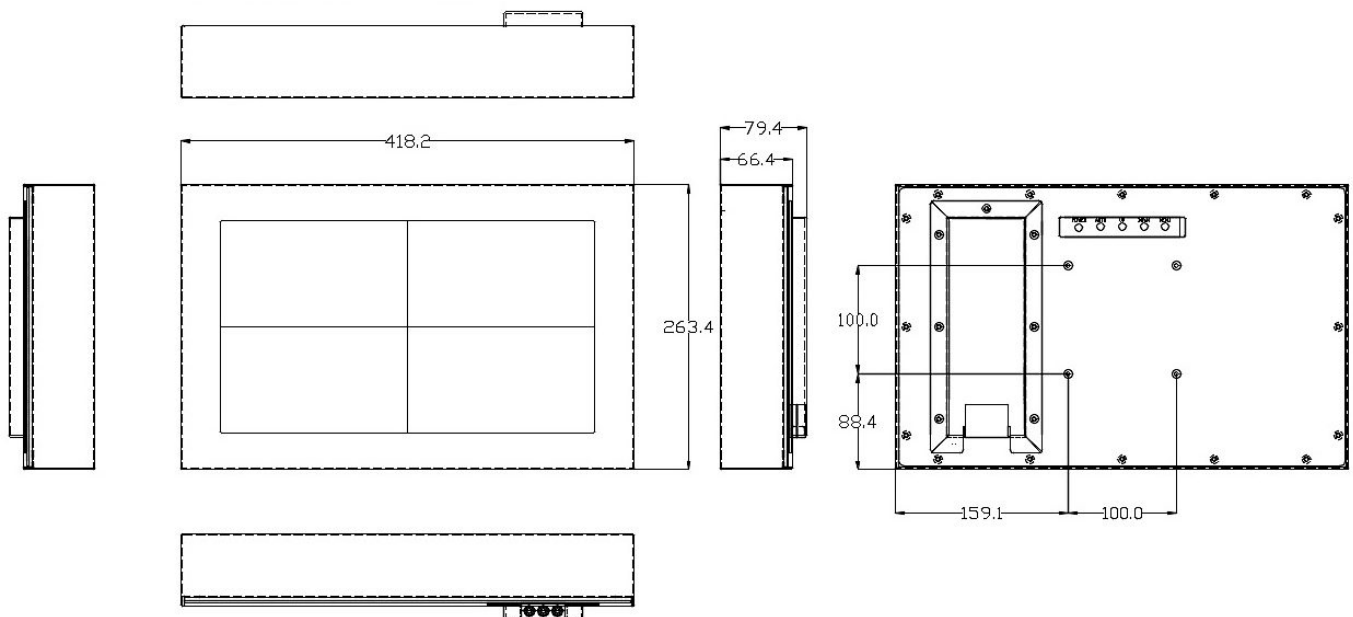
SPECIFICATIONS

| | SRMXW-15.6R-24 | SRMXW-15.6G | SRMHEXW-15.6Z |
|----------------------|---|---------------------|---------------|
| LCD Panel | 15.6" Color Panel; LED Backlights | | |
| Display Resolution | 1920 x 1080 (1080p/60 Full HD) | | |
| Viewable Area | 13.54" x 7.62" (344.16 x 193.59 mm) | | |
| Pixel Pitch | 0.17925mm | | |
| Display Colors | 16.7M | | |
| Aspect Ratio | 16:9 | | |
| Brightness | 1,000 nits | | 1,500 nits |
| Ambient Light Sensor | Optional | Standard | Optional |
| Contrast Ratio | 700:1 | 800:1 | |
| Viewing Angle | 140° (H) x 120° (W) | 170° (H) x 170° (W) | |
| Response Time | 8 msec TrF | 25 Trf | |
| Control | OSD (On-Screen Display) via Pushbuttons | | |

| | SRMXW-15.6R-24 | SRMXW-15.6G | SRMHXW-15.6Z |
|-----------------------|--|--|--|
| Video Inputs | VGA, HDMI, DisplayPort | HDMI, DVI, DisplayPort | VGA, HDMI, HD-SDI, Composite BNC Loop-Thru |
| Power Requirement | 12-24VDC (Includes 2.5mm Locking Pigtail) | 12VDC (Includes 2.5mm Locking Pigtail) | 12 VDC / 90-240 VAC |
| Power Consumption | 25 Watts | TBD | |
| Enclosure | Stainless Steel | | |
| Enclosure Rating | NEMA 4X | | |
| Mounting | 100 x 100 mm Rear VESA Mount Holes | | |
| Operating Temperature | 14° to 158° F (-10 to +70° C) | -22° to 185° F (-30 to +85° C) | |
| Shock | 50G, Half-sine Wave, 20ms, X/Y/Z | | |
| Vibration | Acceleration: 1.5 G RMS; Random Wave; 10-200Hz; 30 mins Per Axis (X,Y,Z) | | |
| Dimensions | 16.46" (W) x 10.37" (H) x 3.13" (D) (418.2 x 263.4 x 79.4 mm) | | |
| Weight | 12.3 lbs / 5.58 kg | | |
| Warranty | 3-Years | | |

Note: Specifications subject to change without notice.

DIMENSIONS (MM)



Standard Accessories:

- Locking Power Pigtail

Available Options:

- 90-240 VAC via PS-12-LC Power Supply
- DVI Video Input
- Panel Mount Enclosure (SRMXWP-15.6R)
- Open-Frame Configuration
- Private Label

- Waterproof Outdoor Wall Mount Bracket (MBX-670)
- Other Customer-Specific Modifications