

VMT-17 Series

17" Industrial-Grade Touch Screen Monitor

- 5-Wire Resistive Touch
- HID Compliant; No Additional Drivers Required
- High Resolution: 1280 x 1024 (SXGA)
- Video Inputs: VGA, HDMI, DisplayPort
- Lockable On-Screen Display (OSD) Controls
- Auto Re-Start After Power Loss
- TRU-Tuff Ensures Maximum Shock/Vibration
- TAA Compliant



17" TOUCHSCREEN MONITOR

The VMT-17 Series are 17" touchscreen monitors that offer 5 wire resistive touch screen technologies. VMTR-17 17 inch Touch Screens utilize 5-wire resistive touch technology; the screen can be activated via a finger, gloved hand, credit card or stylus.

The image quality is exceptionally clear and bright; the contact activation point is extremely accurate, and features a USB touch interface. They offer 1280 x 1024 resolution and a 4:3 aspect ratio, with panels that offer 250 nits brightness. They are ideal for use with analog cameras, and BNC cameras. Likewise, many legacy machine vision systems benefit. Furthermore, we build them with true industrial-grade components for long-term reliability.

RUGGED INDUSTRIAL TOUCHSCREEN

For example, they receive our exclusive TRU-Tuff treatment. Moreover, the TRU-Tuff process includes RTV silicone on all connections and critical components. Additionally, all wires are dressed, tie-wrapped and secured. Lastly, we apply ThreadLock to all screws to ensure they remain secured. Most importantly, this results in a rugged, dependable monitor you can rely on. They can operate on 12 VDC (90-240 VAC with Included Power Brick). The operating temperature ranges are extreme.

TOUCH SCREENS BUILT FOR DEMANDING ENVIRONMENTS

The VMT-17 Series also provide a brighter-than-normal, with 250 nits brightness. The result is crisp, vibrant video images. TRU-Vu industrial LCD monitors are specifically designed for use in demanding industrial, commercial, and A/V applications. For instance, every TRU-Vu monitor utilizes industrial-grade components and high-end LCD panels not found in retail or consumer-grade monitors. This ensures superior image quality, improved performance and greater durability.

The VMT-17 Series industrial 17" LCD touch screens offer a variety of video inputs and are available in standard, open frame, rack mount, panel mount, NEMA/IP waterproof, and touch screen configurations. An extensive list of available OEM options enables you to customize a solution to your specific needs. We offer numerous other monitors in similar sizes and brightness levels from which to choose. They can also be private-labeled with your company name and/or logo on the front bezel.

INDUSTRIAL GRADE TOUCH SCREENS DEPLOYED WORLDWIDE

The VMT-17 Series 17" touchscreen monitors with 5:4 (4:3) aspect ratio are deployed in many industries and applications. This includes manufacturing plants, machine vision inspection systems, and food and beverage plants. They are also found

in surveillance systems, specialty vehicles and museums.

TRU-Vu monitors are backed by our full 3-year warranty. Consequently, this ensures you of many years of reliable service. All of our touch screen monitors are TAA Compliant, making them ideal for government use.

OUR TECHNICAL EXPERTS ARE READY TO HELP YOU FIND THE BEST DISPLAY

With over 540 LCD monitors and touch screens on our site, selecting the ideal equipment, or touch screen solution may be a bit overwhelming. To help narrow down the choices, check out our **Advanced Search Tool**. For example, this enables you filter by your own specific search requirements. See our full line of **standard brightness monitors** and **13.3" to 19" monitors** for similar models. Browse all **industrial touch screen monitors**. TRU-Vu can provide modified or **Custom OEM LCD Displays**. **Private Label Monitors** are also an option if you have very specific requirements.

Finally, our team members are ready to help! We can determine the exact solution that will meet your specific needs . Certainly, TRU-Vu will help provide clear images for your operating requirements . Call **(847) 259-2344** today to speak with one of our specialists. Above all, we will listen. It’s one of the things we do best. Our professional advisors will ensure the monitor or touch screen you receive will be and do everything you had hoped it would!

If you prefer, fill out a **quick form** with your requirements, and we will guide you to the proper models that will work best.

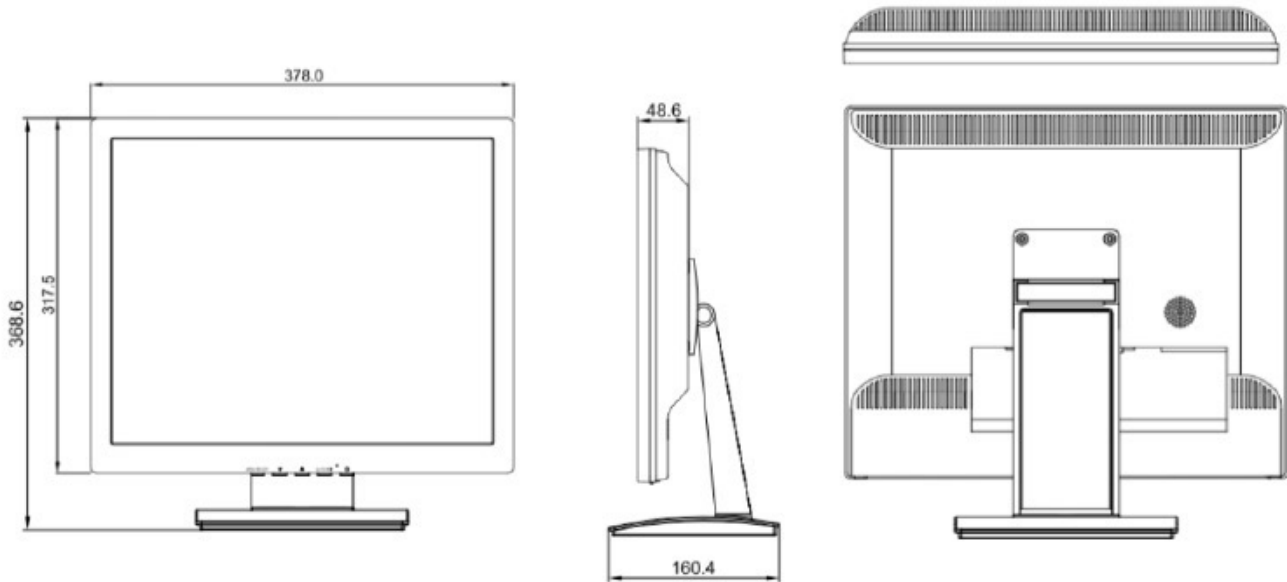
To see technical information, tips, tricks and guides to LCD monitors and technology, visit our **TECH CENTER**.

SPECIFICATIONS

	VMTR-17C	VMTR-17V
LCD Panel	17" Color LCD; LED Backlights	
Touch Screen	5-Wire Resistive Touch	
Touch Screen	USB	
Resolution	1280 x 1024 (SXGA)	
Viewable Area	13.30" (W) x 10.64" (H) (337.92 x 270.34 mm)	
Pixel Pitch	0.264 mm	
Display Colors	16.7M	
Aspect Ratio	4:3 (5:4)	
Brightness	250 nits	
Contrast Ratio	1,000:1	
Viewing Angle	170° (H) x 160° (V)	
Response Time	5 msec	
Control	OSD (On-Screen Display) via Front Panel Pushbuttons	
Video Inputs	VGA, DVI	VGA
Audio	Rear Facing Speaker	
Power	12 VDC (90-240 VAC with Included Power Brick)	
Enclosure	ABS	
Mounting	Included Base or 75 x 75mm VESA Holes	
Operating	+32° to +122° F (0° to +50° C)	
Humidity	5-90% RH	
Shock	50G (20 msec, 1/2 sine)	
Vibration	1.5 G RMS 10-200Hz, P-P	
Dimensions	14.88" (W) x 12.50" (H) x 1.91" (D) (378 x 317.5 x 48.6 mm)	
Weight	8.47 lbs. /3.84 kg	
Warranty	3 Year	

Note: Specifications subject to change without notice.

DIMENSIONS (MM)



Standard Accessories:

- 90-240 VAC Power Brick Adapter
- VGA Cable
- Tabletop Base (VMTR-17V & VMTR-17C Only)
- USB Cable
- Audio Cable (VMTR-17V & VMTR-17C Only)
- Touch Screen Driver CD
- DVI Cable (VMTR-17C Only)

Available Options:

- Panel Mount
- SAW Touch Screen
- Optical Bonding
- Open Frame Configuration
- Private Label
- Rack Mount Bracket MB-Rack-17
- 24 VDC Operation