

VMT-19 Series

19" Touch Screen Monitors

- 19" Industrial-Grade Touch Screen
- 5-Wire Resistive Touch or Surface Capacitive Touch
- HID Compliant; No Additional Drivers Required
- Resolution: 1280 x 1024 (SXGA)
- Auto Re-Start After Power Loss
- Lockable On-Screen Display Controls
- Can Be Customized to Meet Your Needs
- 3-Year Warranty
- TAA Compliant



19" TOUCHSCREEN MONITOR

The VMT-19 Series are 19" touchscreen monitors that offer either 5 wire resistive or surface capacitive touch screen options. The VMMTR-19C 19" Touch Screen monitors utilize 5-wire resistive touch technology. You may activate the screen via a finger, gloved hand, credit card or stylus. The VMTC-19V utilizes a surface capacitive touch screen. This surface capacitive model can only be activated via an exposed human finger or special-purpose stylus. The image quality is exceptionally clear and bright. The contact activation point is extremely accurate. An extensive list of OEM options enables you to customize the VMMTR-19C to meet your exact needs. These operate in extreme temperatures of 32° to 140° F .

Our image quality is exceptionally clear and bright. The contact activation point is extremely accurate. All models in this series feature a USB touch interface. They offer 1280 x 1024 resolution and a 4:3 aspect ratio. Additionally, the panels have 350 nits brightness. They are ideal for use with analog cameras, and BNC cameras. Likewise, many legacy machine vision systems benefit. Furthermore, we build them with true industrial-grade components for long-term reliability.

RUGGED INDUSTRIAL TOUCHSCREEN

This series receives our exclusive TRU-Tuff treatment. Moreover, the TRU-Tuff process includes RTV silicone on all connections and critical components. Additionally, all wires are dressed, tie-wrapped and secured. Lastly, we apply ThreadLock to all screws to ensure they remain secured. Most importantly, this results in a rugged, dependable monitor you can rely on. They can operate on 12 VDC (90-240 VAC with Included Power Brick) or 12-24VDC. The operating temperature ranges are extreme.

TOUCH SCREENS FOR DEMANDING APPLICATIONS

The VMT-19 Series also provide a brighter-than-normal, with 350 nits brightness. The result is crisp, vibrant video images. TRU-Vu industrial LCD monitors are specifically designed for use in demanding industrial, commercial, and A/V applications. For instance, every TRU-Vu monitor utilizes industrial-grade components and high-end LCD panels not found in retail or consumer-grade monitors. This ensures superior image quality, improved performance and greater durability.

The VMT-19 Series industrial 19" LCD touch screens offer a variety of video inputs and are available in standard, open frame, rack mount, panel mount, NEMA/IP waterproof, and touch screen configurations. An extensive list of available OEM options enables you to customize a solution to your specific needs. They can also be private-labeled with your company name and/or logo on the front bezel.

TRU-VU TOUCH SCREENS DEPLOYED WORLDWIDE

The VMT-19 Series 19" touchscreen monitors with 4:3 aspect ratio are deployed in many industries and applications. This includes manufacturing plants, machine vision inspection systems, and food and beverage plants. They are also found in surveillance systems, specialty vehicles and museums.

TRU-Vu monitors are backed by our full 3-year warranty. Consequently, this ensures you of many years of reliable service. All of our touch screen monitors are TAA Compliant, making them ideal for government use.

We offer numerous other monitors in similar sizes and brightness levels from which to choose.

OUR TECHNICAL EXPERTS ARE READY TO HELP YOU FIND THE BEST 19" INDUSTRIAL DISPLAY

With over 540 LCD monitors and touch screens on our site, selecting the ideal equipment, or touch screen solution may be a bit overwhelming. To help narrow down the choices, check out our [Advanced Search Tool](#). For example, this enables you filter by your own specific search requirements. Browse all monitors and touch screens on sale. See all monitors that can operate on 24VDC.

Finally, our team members are ready to help! We can determine the exact solution that will meet your specific needs . Certainly, TRU-Vu will help provide clear images for your operating requirements . Call **(847) 259-2344** today to speak with one of our specialists. Above all, we will listen. It's one of the things we do best. Our professional advisors will ensure the monitor or touch screen you receive will be and do everything you had hoped it would!

If you prefer, fill out a [quick form](#) with your requirements, and we will guide you to the proper models that will work best.

To see technical information, tips, tricks and guides to LCD monitors and technology, visit our [TECH CENTER](#).

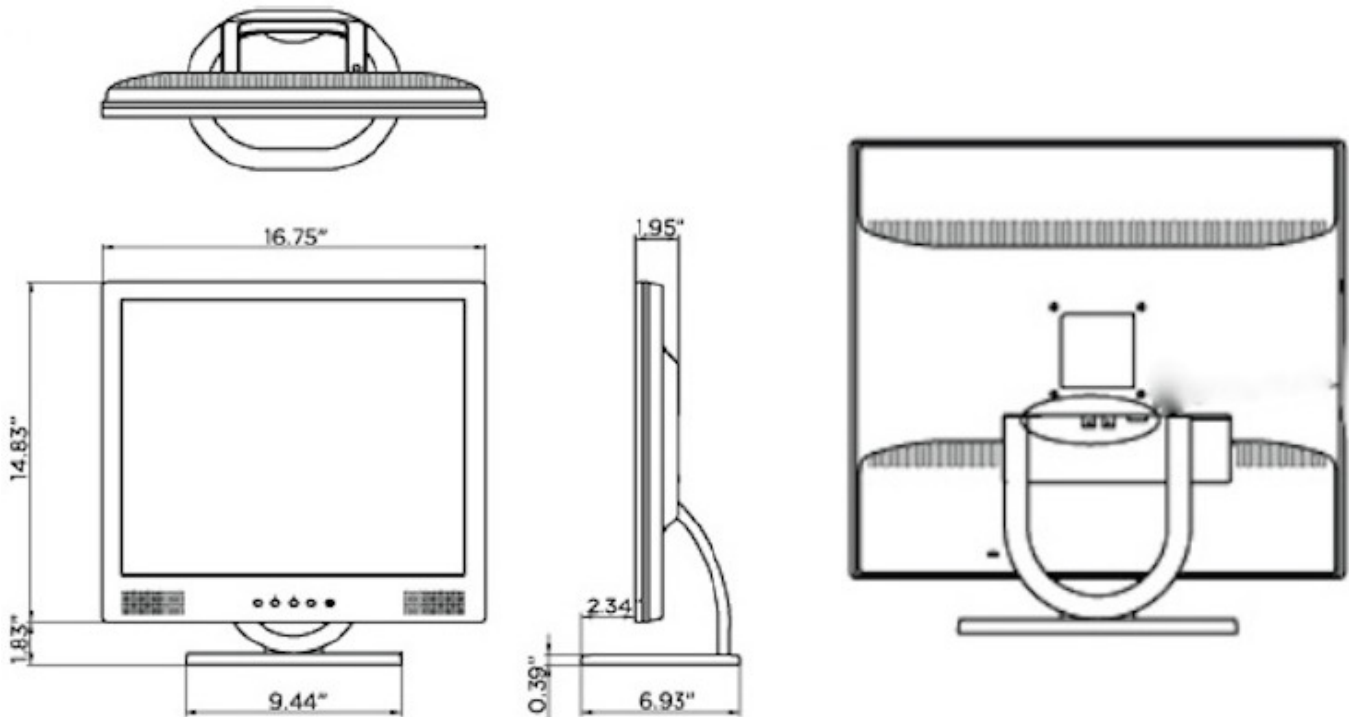
SPECIFICATIONS

	VMMTR-19G-24	VMMTR-19C	VMTC-19C
LCD Panel	19" TFT Color LCD		
Touch Screen Type	5-Wire Resistive Touch		Surface Capacitive Touch
Touch Screen	USB		
Resolution	1280 x 1024 (SXGA)		
Viewable Area	14.81" (W) x 11.85" (H) (376.17 x 300.98mm)		
Pixel Pitch	0.294 mm x 0.294 mm		
Display Colors	16.7M		
Aspect Ratio	4:3 (5:4)		
Brightness	350 nits		
Contrast Ratio	1,000:1		
Viewing Angle	170° (H) x 160° (V)		
Response Time	5 msec (TrF)		
Control	OSD (On-Screen Display) via Front Panel Pushbuttons (may be locked)		
Video Inputs	HDMI, DVI, DisplayPort	VGA & DVI-D	
Power Requirement	12-24 VDC	12 VDC (2.1mm Connector) / 90-240 VAC with Included Power Brick	12 VDC (90-240 VAC with Included Power Brick)
Power Consumption	28 W		
Enclosure	ABS		
Mounting	Included Base or 75 x 75mm VESA Hole Pattern		75 x 75mm Rear VESA Holes (Optional Base)
Operating	32° to 140° F (0° to 60° C)		

	VMMTR-19G-24	VMMTR-19C	VMTC-19C
Humidity	5-90% RH		
Shock/Vibration	50 G (20 msec, 1/2 sine) / 1.5 G RMS 10-300Hz		
Approvals	UL/cUL, FCC, CE, TUV, RoHS		
Dimensions	16.75" (W) x 14.83" (H) x 1.95" (D) (425.45 x 376.68 x 49.52 mm)		
Weight	11.4 lbs. (5.17 kg)		12.5 lbs. (5.67 kg)

Note: Specifications subject to change without notice.

DIMENSIONS (MM)



Standard Accessories:

- 90-240 VAC Power Brick (VMMTR-19C, VMTC-19C Only)
- Tabletop Stand (VMMTR-19C Only)
- VGA Cable
- Audio Cable (Except VMTC-19C)
- Power Pigtail Cable (VMMTR-19G-24 Only)
- DVI Cable (Except VMMTR-19G-24)
- USB Cable

Available Options:

- 90-240 VAC via PS-12 Power Supply
- Protective/Anti-Reflective Glass
- Optical Bonding
- Panel Mount

- High-Temp Operation (-30° to +85°C)
- Powder-Coated Steel Enclosure
- Open-Frame Configuration
- Private-Label
- Wall-Mount Bracket
- Rack-Mount Bracket MB-Rack-19
- Other Customer - Specific Modifications