

VMTRPM-15 Series

15" Panel-Mount Touch Screen Monitor

- 5-Wire Resistive Touchscreen
- Steel Panel-Mount Enclosure
- Video Inputs: VGA, HDMI DisplayPort
- Lockable On-Screen Display (OSD) Controls
- Auto Re-Start After Power Loss
- TRU-Tuff Ensures Maximum Shock/Vibration Resistance
- 3-Year Warranty



15" PANEL MOUNT TOUCH SCREEN

The VMTRPM-15 Series 15" panel mount touch screen monitors. They are available as a 5-wire resistive touchscreens. Resolution is 1024 x 768 . It has a 4:3 aspect ratio. This series features a Steel Panel-Mount (Rear Clamp) enclosure. They operate on 12-24VDC. Operating temperatures are 32° to 122°F (0° to 50°C).

The VMTRPM-15 Series touchscreen monitors are extremely rugged. For instance, we build them with true industrial-grade components. Furthermore, they receive our exclusive TRU-Tuff treatment. The TRU-Tuff process includes RTV silicone on all connections and critical components. Additionally, we dress all wires, tie-wrap and secure them. Lastly, we apply ThreadLock to all screws. Our industrial-grade 15" panel mounted touchscreens monitors are ideal for wet environments. The VMTRPM-15 Series is a 5-wire resistive touchscreen monitor. It can be activated by almost any object - gloved finger, stylus, pen, etc. Communication to the host pc is via USB.



RUGGED WATERPROOF PANEL-MOUNT TOUCH SCREEN MONITORS

TRU-Vu 15" 5-wire resistive touchscreen monitors are built for demanding environments and applications. The steel rear-clamp design ensures rock-solid installation in cabinets, walls, desks and more. There's also a handy guide on how to install a panel-mount touchscreen. For use in direct sunlight, we recommend our sunlight readable monitors for higher brightness.

TOUCH SCREEN WITH EXTREME OPERATING TEMPERATURES

We design the VMTRPM-15 Series touch monitors to operate in nearly any environmental conditions. Whether in frigid conditions or blazing heat, these displays will survive and thrive. To clarify, they will operate in temperatures down to 32°F (0°C). They will also withstand brutal heat. Operating temperatures go up to 122°F (50°C). The rugged stainless steel enclosure assures these 15" touch screens will provide years of reliable imaging performance. Specifically, typical MTBF for these monitors is 50,000 hours.

DEMANDING INDUSTRIES NEED INDUSTRIAL TOUCH SCREENS

Our 15" touchscreen monitors have been deployed in a wide range of demanding industries. For example, military, law enforcement, industrial manufacturing, oil and gas, and entertainment benefit. They are also found in inspection, kiosks, heavy equipment, and transportation. TRU-Vu monitors are backed by our full 3-Year Warranty. This ensures you of many years of reliable service.

We specialize in providing industrial-grade monitors and touch-screens for challenging environments. However demanding your application may be, we will provide the very best solution. Our vast client base shows our versatility in providing the very best LCD monitors in the industry.

OUR TECHNICAL EXPERTS ARE READY TO HELP YOU FIND THE BEST RUGGED TOUCH SCREEN

With over 540 LCD monitors and touch screens on our site, selecting the ideal solution may be a bit overwhelming. To help narrow-down the choices, check out our [Advanced Search Tool](#). This enables you filter by your own specific search requirements. Browse by similar size monitors, or standard brightness monitors and touch screens. TRU-Vu can provide modified or Custom OEM LCD Displays. Private Label Monitors are also an option if you have very specific requirements.

Finally, our team members are ready to help! We can determine the exact solution that will meet your specific needs. Certainly, TRU-Vu will help provide crystal-clear images for your operating requirements. Call (847) 259-2344 today to speak with one of our specialists. Above all, we will listen. It's one of the things we do best. Our professional advisors will ensure the monitor or touch screen you receive will be and do everything you had hoped it would!

If you prefer, fill out a [quick form](#) with your requirements, and we will guide you to the proper models that will work best. To see technical information, tips, tricks and guides to LCD monitors and technology, visit our [TECH CENTER](#).

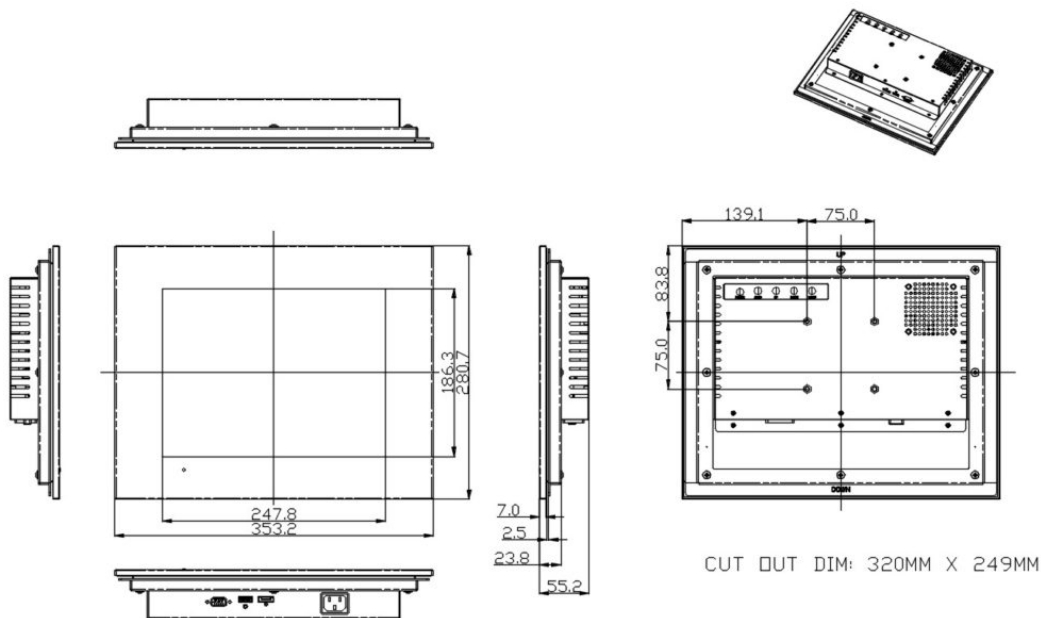
SPECIFICATIONS

	VMTRPM-15R-24	VMWTRPM-15U
LCD Panel	15" Color TN LCD Panel (LED Backlights)	
Touch Technology	5-Wire Resistive Touch	
Touch Interface	USB	
Resolution	1024 x 768 (XGA)	
Viewable Area	11.97" (W) x 8.98" (H) (304.12 x 228.09 mm)	
Pixel Pitch	0.297mm	
Display Colors	16.2 M	
Aspect Ratio	4:3	
Brightness	350 nits	
Contrast Ratio	700:1	
Response Time	8 msec Trf	
Viewing Angle	160° (H) x 150° (W)	
Control	OSD (On-Screen Display) via Rear Panel Pushbuttons	

	VMTRPM-15R-24	VMWTRPM-15U
Video Inputs	VGA, HDMI, DisplayPort	VGA, HDMI, Composite BNC Loop-Thru
Power Requirement	12-24VDC (2.5mm Barrel Plug)	
Enclosure	Steel Panel-Mount (Rear Clamp)	
Operating Temp.	32° to 122°F (0° to 50°C)	
Humidity	8-90%RH	
Shock	50 G (20 msec, ½ sine)	
Vibration	1.5G RMS 10-200 HZ	
Dimensions	15.98" (W) x 12.39" (H) (405.80 x 314.60 mm)	
Warranty	3 Years	

Note: Specifications subject to change without notice.

DIMENSIONS (MM)



VMTRPM-15R-24

Standard Accessories:

- USB Cable
- VGA Cable (VMTRPM-15R-24 Only)
- Locking Pigtail (VMTRPM-15R-24 Only)

Available Options:

- 90-240 VAC via PS-12-LC Power Supply (VMTRPM-15R-24)