



SVS-VISTEK

# fxo545MCX

FXO CoaXPress

The FXO CoaXPress offers the modern Sony Pregius S sensor with a high-performance interface. This camera is characterized by excellent Jitter and latency behavior. The thin CoaXPress cable supports distances up to 25m.

The solid, CNC-milled housing offers an excellent temperature management and allows an operating temperature of up to 60°C for most sensors.



## Technical Highlights

- > Thermally optimized aluminum housing
- > extremely low Jitter
- > CoaXPress-12 interface, single line, PoCXP
- > Integrated 4-channel LED strobe controller
- > ROI, binning, lookup tables
- > IO interface with 2xIN, 4xOUT, Opto and RS232 with SafeTrigger, programmable timers, logic functions (PLC) and sequencer

## FXO Series

## fxo545MCX

Resolution	4096 x 3000 px
Frame rate (max.)	61 fps
Chroma	mono
Interface	CXP-12 1 Lane
<b>Sensor</b>	
Sensor	IMX545LLA
Manufacturer	Sony
Sensor type	Area CMOS
Shutter type	global shutter
Sensor size (h x v)	11.22 x 8.22 mm
Optical diagonal	13.91 mm
Sensor format	14mm (Type 1/1.1)
Pixel size (h x v)	2.74 x 2.74 $\mu\text{m}$

### Camera

Exposure modes	MANUAL;AUTO
Trigger modes	INTERNAL;SOFTWARE;EXTERNAL
Exposure time (min)	19 $\mu\text{s}$
Exposure time (max)	1 sec
Pixel format / max	mono8, mono12 / 12 bit
Gain modes	manual, auto
S/N ratio (max)	39 dB (dep. on environment)
Dynamic range (max)	72 dB (dep. on environment)
Internal memory	1024 MB SDRAM

### Feature Set

AOI	yes
LUT	yes
Offset	yes
Binning	yes
Image flip	yes
Shading correction	yes (external)
Defect pixel correction	yes
Sequencer	yes

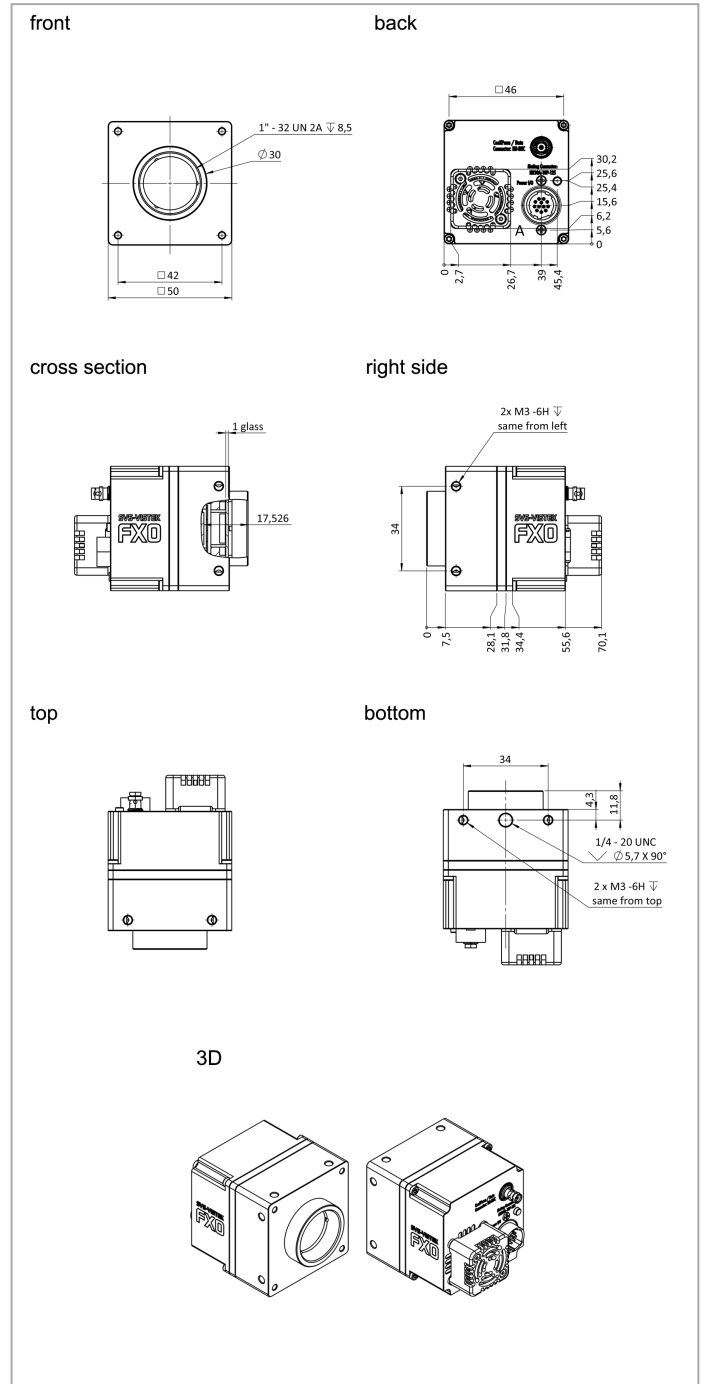
### Housing

Lens mount	C-Mount
Dimensions (w x h x d)	50 x 50 x 70 mm
Weight	240 g
Operating temperature (housing)	-10 to 60 °C
Ambient humidity	10 to 90 % (non-condensing)
Protection class	IP30

### I/O-Interfaces

Input up to 24V	2 x
Input OPTO	1 x
Output open drain	4 x
I/O RS-232	1 x
Power supply	10 to 25 V (DC)

## Dimensions [mm]



## Pinout Mating Connector

Hirose 12 Pin	1	VIN - (GND)	7	OUT 1 (open drain)
	2	VIN + (10 V to 25 V DC)	8	OUT 2 (open drain)
	3	IN 4 (RXD RS232)	9	IN 3 + (opto In +)
	4	OUT 4 (TXD RS232)	10	IN 3 - (opto In -)
	5	IN 1 (0-24V)	11	OUT 3 (open drain)
	6	IN 2 (0-24V)	12	OUT 0 (open drain)

## Spectral Response \*